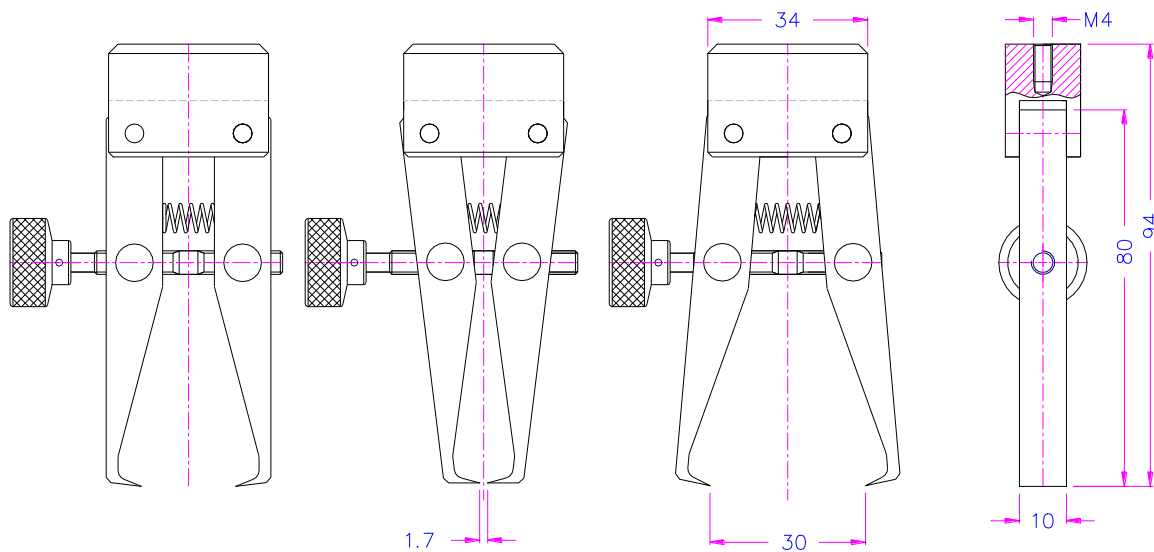
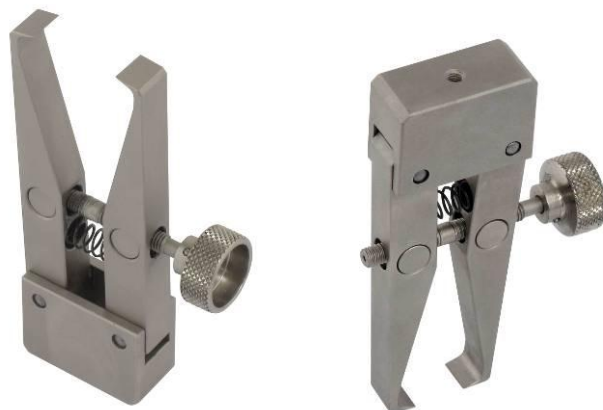


PINCER GRIPS

Item no.:	THS466-H1-M4
Max. load:	500 N
Opening:	0 – 30 mm
Coupling:	M4 internal thread
Body:	Steel, nickel-plated
Weight:	0.18 kg per grip
Temperature range:	-70°C ... +280°C
Scope of supply:	1 grip



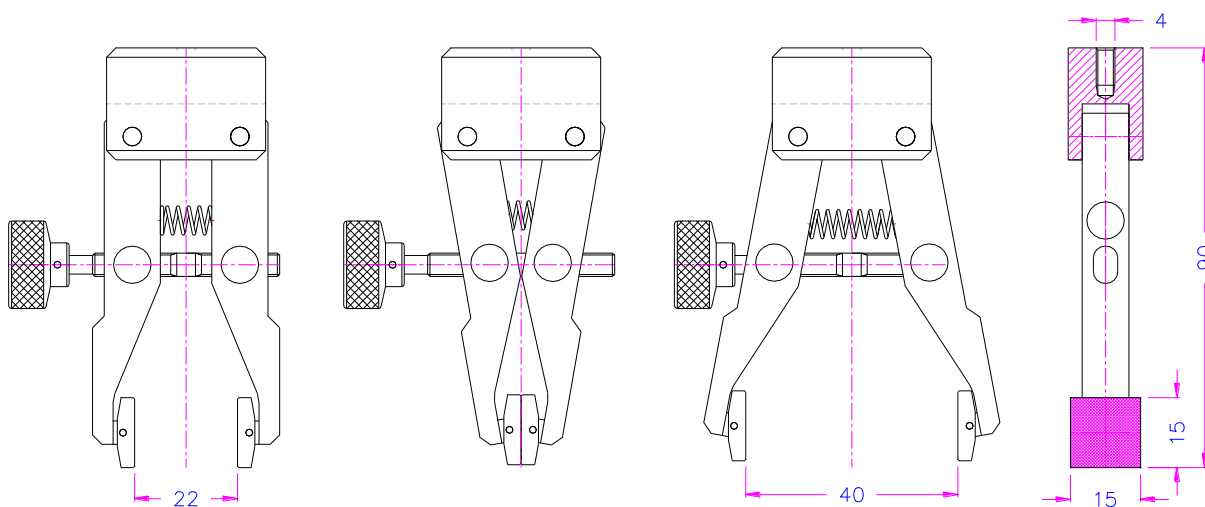
THS466-H1-K-Af159
with chain adapter



THS466-H1-Af159
with fixed adapter 15.9 mm (5/8")

Version with articulated jaws. The jaws adjust to a sample.

Item no.:	THS466c
Max load:	700 N
Clamping surface:	15x15 mm
Coupling:	M4 inner thread
Body:	Steel, nickel-coated
Weight:	0.19 kg per grip without jaws
Temperature range:	-70°C ... +280°C
Scope of supply:	1 grip without jaws



Jaws for THS466c

Item no.	Surface	Clamping surface HxW	Opening	Weight per pair
THS466c-BP	Pyramid jaws	15 x 15 mm	0 – 40 mm	9 g
THS466c-BG	Rubber-coated jaws	15 x 15 mm	0 – 38 mm	12 g

Examples for special solutions:



THS466-HD8-M4

Pincer grip to hold a bottle cap from inside



THS466-HD2-M4

Pincer grip to hold a bottle cap from inside