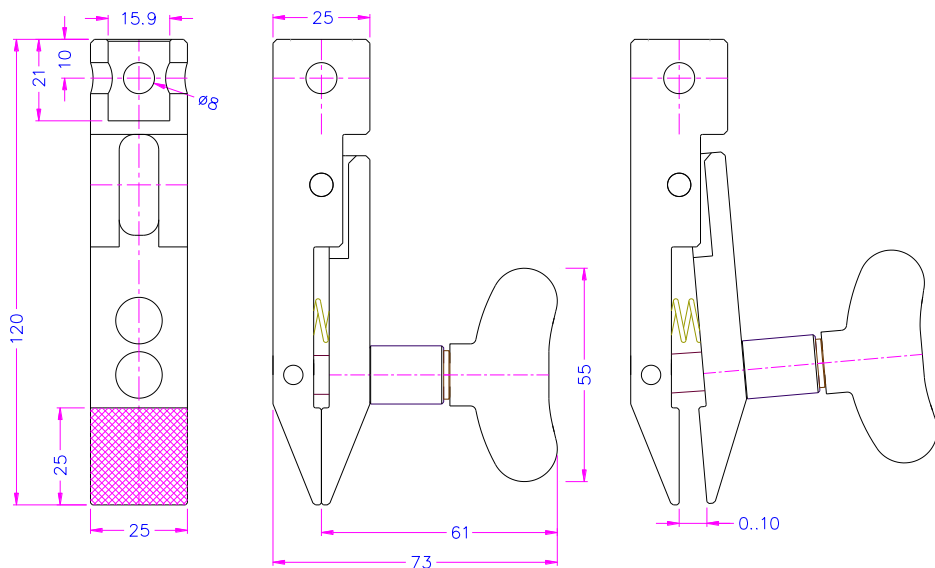


SMALL VISE GRIP

Versatile, easy to use.
Applicable for small samples, for example, electronic components.

Item number:	THS470
Tensile force:	2 kN
Coupling:	Af159. Further couplings on request.
Opening:	0 – 10 mm
Jaws:	Pyramid (serrated) jaws, pyramids 1.2 x 45°
Clamping surface:	25 x 25 mm (HxW)
Body:	Steel, nickel-plated, hardened steel
Temperature range:	0 ... +130°C Further temperature ranges on request
Weight:	462 g per grip
Scope of delivery:	1 grip



THS470+SG-T280
Special version with a handle for high temperatures



THS470 can be used in combination with the following grips as upper grip:



TH50
 Peel test fixture
[Data sheet](#)



TH104
 Peel test fixture
[Data sheet](#)

Similar grips:



THS341
[Data sheet](#)



THS501
[Data sheet](#)



THS205k
[Data sheet](#)



THS7-10
[Data sheet](#)

