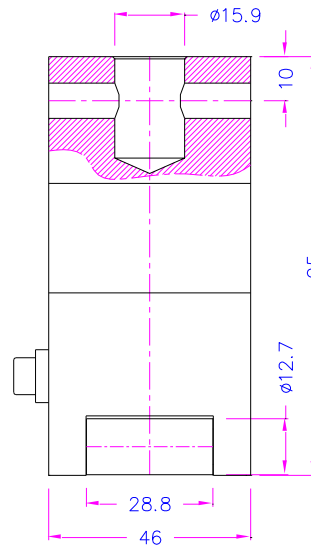
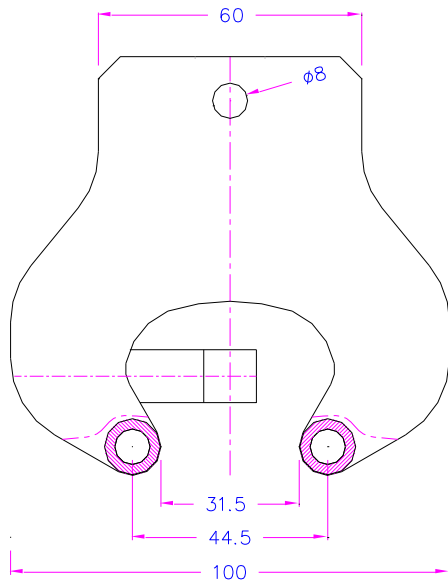
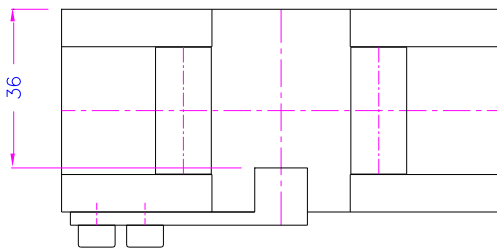





### CHUCK GRIP



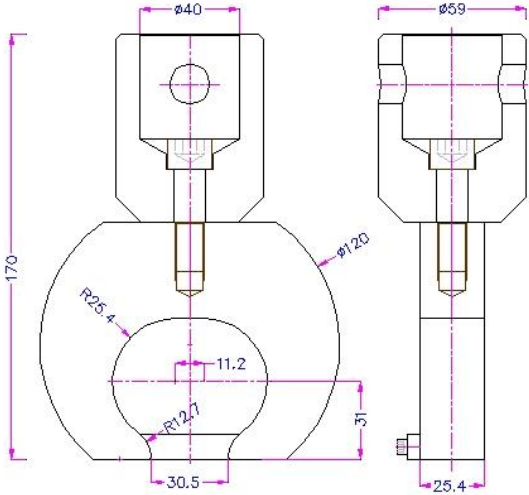
to determine the tensile strength of chemical-resistant mortar, grouts, and monolithic surfacings according to ASTM-C307

<b>Item no.:</b>	<b>THS474-ASTM-C307</b>
Max. load:	10 kN
Coupling:	Af159 or Af20 Further couplings on request
Weight:	4.1 kg per pair of grips
Material:	Steel, nickel-plated
Temperature load:	0 ... +70°C Further temperature ranges on request
Scope of supply:	1 pair of grips



Examples for customised versions:

	<p><b>THS474-ISO6259-1</b></p> <p>Testing tensile properties of thermoplastics pipes according to EN ISO6259-1</p>
	<p><b>THS474-10-H10-R25-Af159-ISO527-2-1A + THS327-Am158-M-Am317</b></p> <p>Special version for samples according to ISO527-2-1A with universal joint adapter Am317</p>
	<p><b>THS474-10-R60-Af159-ISO527-3-Fig.3</b></p> <p>Special version for samples according to ISO527-3-Fig.3 with pull rods for temperature chamber application</p> <p>Coupling Af159</p>

	<p><b>THS474-29-76-60-R12.5-DIN EN302-3</b></p> <p>Testing of adhesives for load-bearing timber structures according to DIN EN302-3</p>
	<p><b>THS474-130-4x40-GOST32842</b></p> <p>Tensile adhesion strength of mastics between concrete beams for automobile road use according to GOST32842 P4.4</p> <p>-40 ... +100°C</p> <p>Max. load 5 kN</p> <p>Max. concrete beam size: 160x40x40 mm (LxWxH)</p> <p>Coupling Af159</p>
	<p><b>THS474-F50-BS6319-7</b></p> <p>Determination of tensile force of resin and polymer/cement compositions for use in construction according to BS6319-7</p>



**THS474-23x5-K22**

Testing of composite specimens  
max. 5 mm thick and 30 mm wide

Incl. round inserts 10 mm, 12.5 mm and 15 mm thick  
to accommodate samples of different thicknesses

Special steel, temperature range  
-150°C ... 0°C

Max. load 50 kN, coupling Af318



**THS474-30x35-Am35-ith7-xc-bscd**

Special version with a closed back side  
with holders for extensometer