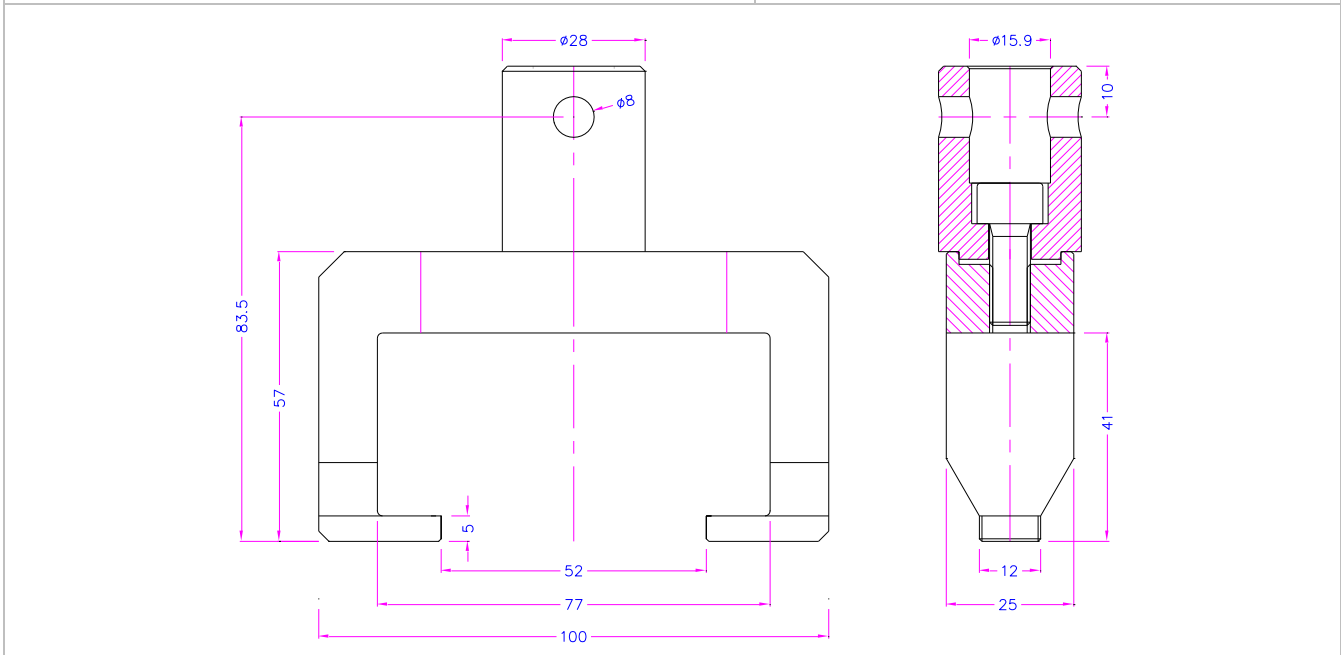
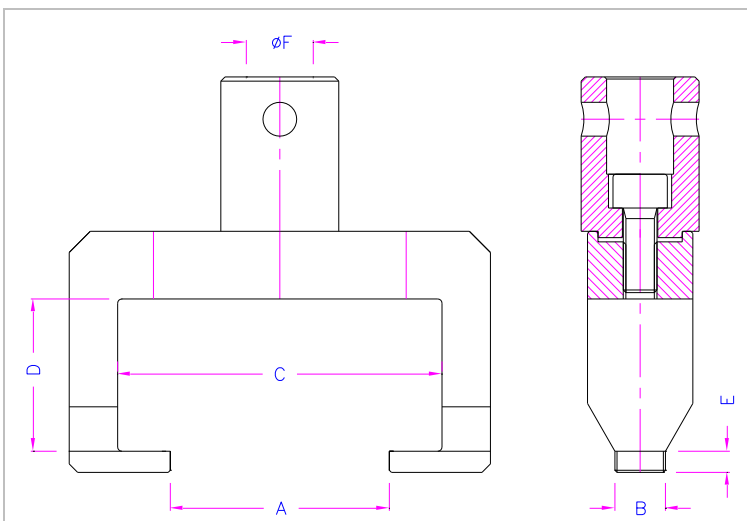


### CHUCK GRIP

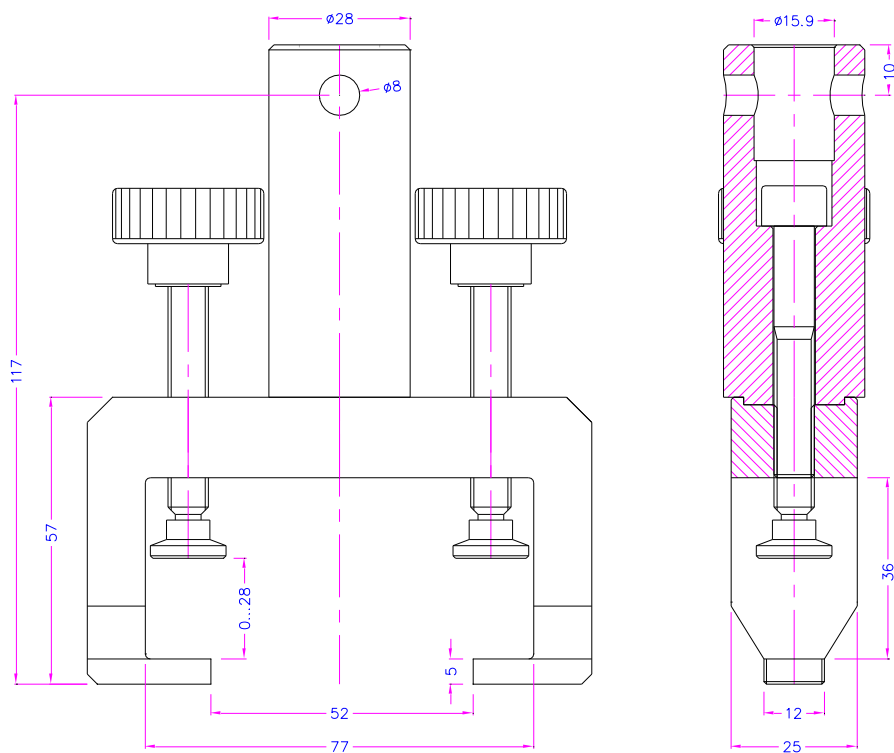
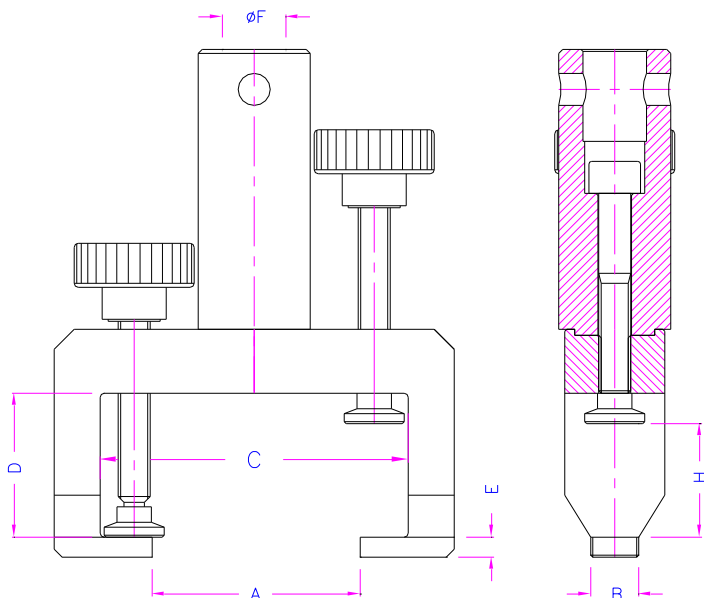
to test tensile properties of sealants for building constructions according to DIN EN ISO8339, DIN EN ISO9046, DIN EN ISO7389, ISO13640, DIN EN1279-4, DIN52455-3, DIN EN ISO11600

|                    |                                                      |
|--------------------|------------------------------------------------------|
| <b>Item no.:</b>   | <b>THS504-52-12-77-36-5</b>                          |
| Max. load:         | 5 kN                                                 |
| Coupling:          | Af159 or Af20<br>Further couplings on request        |
| Body:              | Steel, nickel-plated                                 |
| Temperature range: | 0 ... +70°C<br>Further temperature ranges on request |
| Scope of supply:   | 1 pair of fixtures                                   |



Identical to THS504-52-12-77-36-5 but with the option to fix specimen with 2 knurled screws

|                    |                                                      |
|--------------------|------------------------------------------------------|
| Item no.:          | THS504-52-12-77-36-5-2rm                             |
| Max. load:         | 5 kN                                                 |
| Coupling:          | Af159 or Af20<br>Further couplings on request        |
| Body:              | Steel, nickel-plated                                 |
| Temperature range: | 0 ... +70°C<br>Further temperature ranges on request |
| Scope of supply:   | 1 pair of fixtures                                   |



| <b>Universal chuck grip for tensile tests on sealants for building constructions with adjustable opening 0-86 mm</b> |                                                      |
|----------------------------------------------------------------------------------------------------------------------|------------------------------------------------------|
| Item no.:                                                                                                            | THS504-S80-W50                                       |
| Max. load:                                                                                                           | 10 kN                                                |
| Coupling:                                                                                                            | Af159 or Af20<br>Further couplings on request.       |
| Body:                                                                                                                | Steel, nickel-plated                                 |
| Temperature range:                                                                                                   | 0 ... +70°C<br>Further temperature ranges on request |
| Scope of supply:                                                                                                     | 1 pair of fixtures                                   |

