

THS519

Anschlag
zum Zentrieren von Prüflingen am
Backen

TH149-BG + THS519-4



TH238-Ar3.2r5 + THS519-4



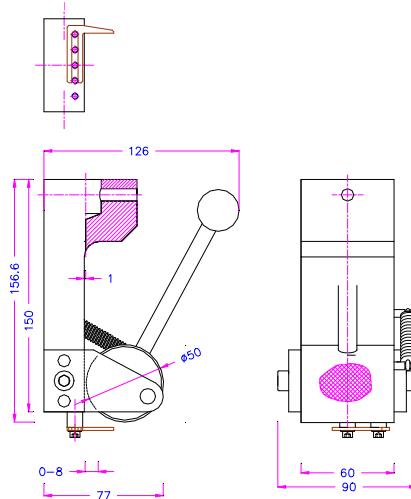
THS519-3-13

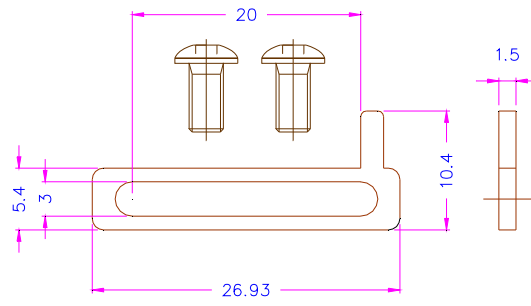


TH229-BP25+THS519-2

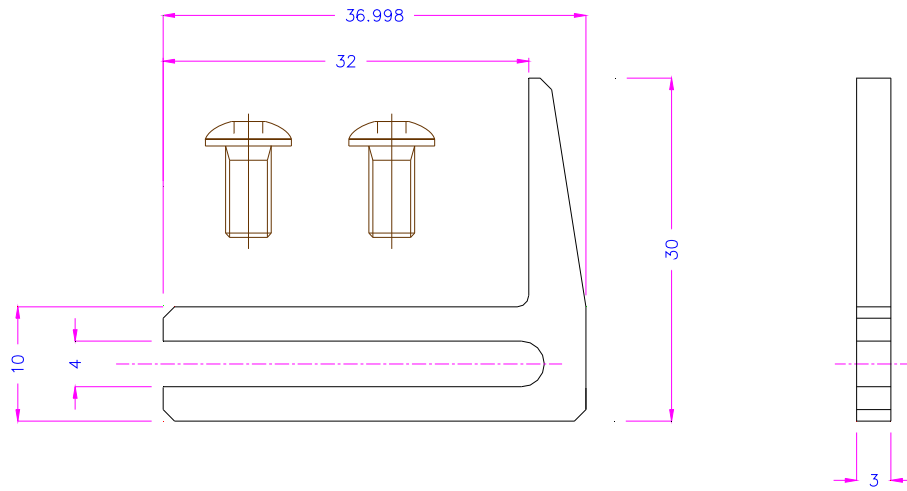


TH7-10+THS519-4

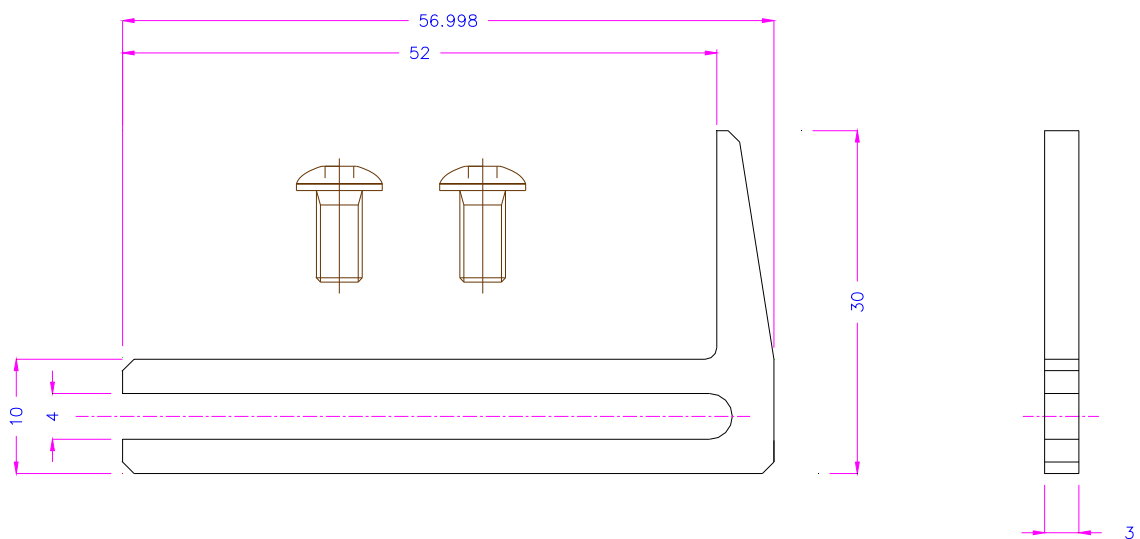




THS519-3-20

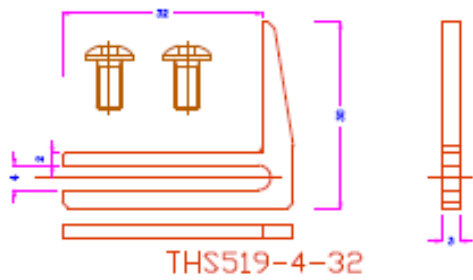


THS519-4-32



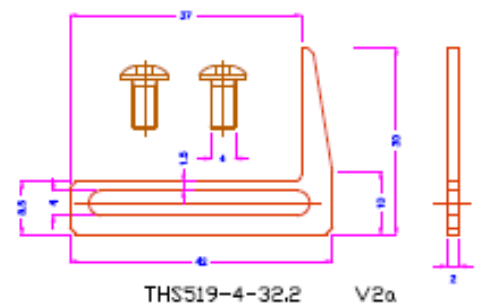
THS519-4-52

M4



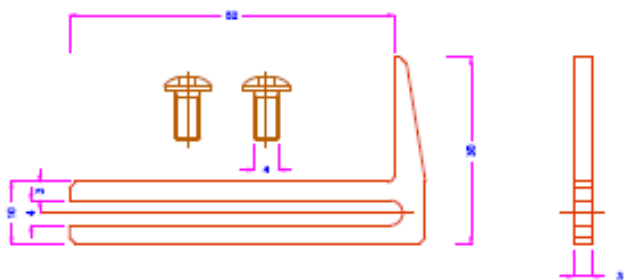
THS519-4-32

M4



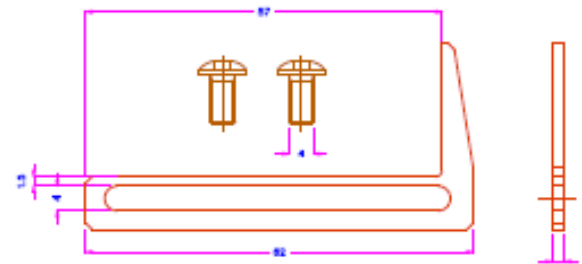
THS519-4-32.2 V2a

M4



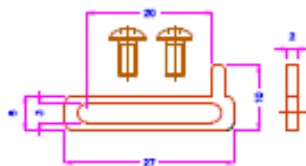
THS519-4-52

M4



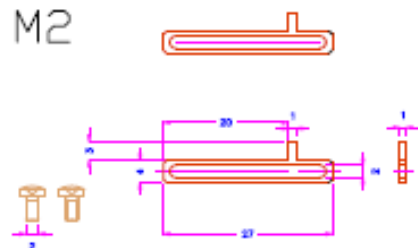
THS519-4-52.2 V2a

M3



THS519-3-20

M2



THS519-2

Siehe auch www.grip.de/G18