

PULL ROD FOR TEMPERATURE CHAMBERS

Item no.:	THS521-A-B-C-D-E A = male adapter B = female adapter C = rod thickness D = rod length E = psd (optional heat protection shield to protect load cell of tensile tester against excessive heat)
Rod length:	100-600 mm. Further lengths on request
Heat protection shield (psd):	200 mm Ø
Material:	Stainless steel
Temperature range:	-180 ... +600°C. Further temperature ranges on request
Scope of supply:	1 pair of pull rods

Rod thickness:*	Coupling, bottom:	Coupling, top:	Max. load:
8 mm	Am8/3 (3/10")	Af8/3 (3/10")	1 kN
21 mm	Am158/8 (5/8")	Af159/8 (5/8")	20 kN
34 mm	Am317/128 (10/8")	Af318/128 (10/8")	50 kN

*Further thicknesses on request

Examples:

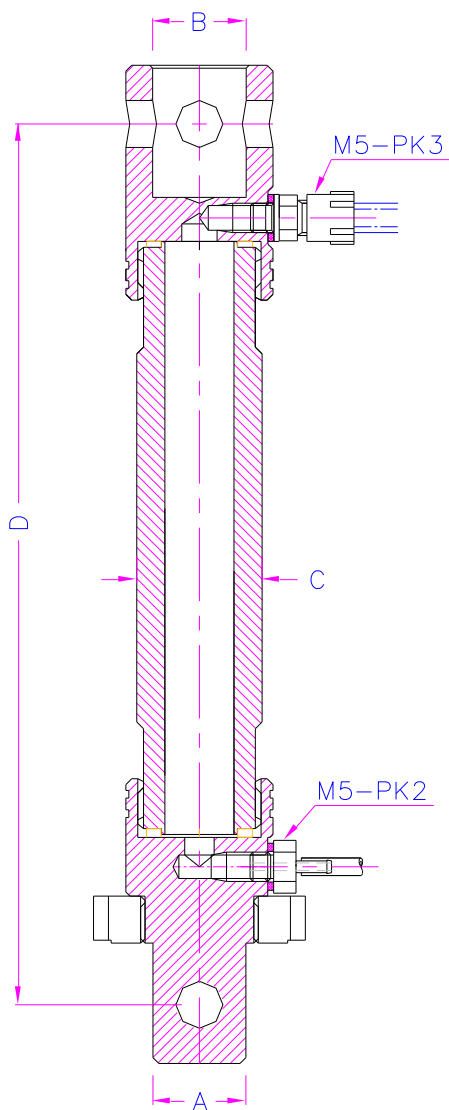


THS521-Am158-Af159-D21-L250

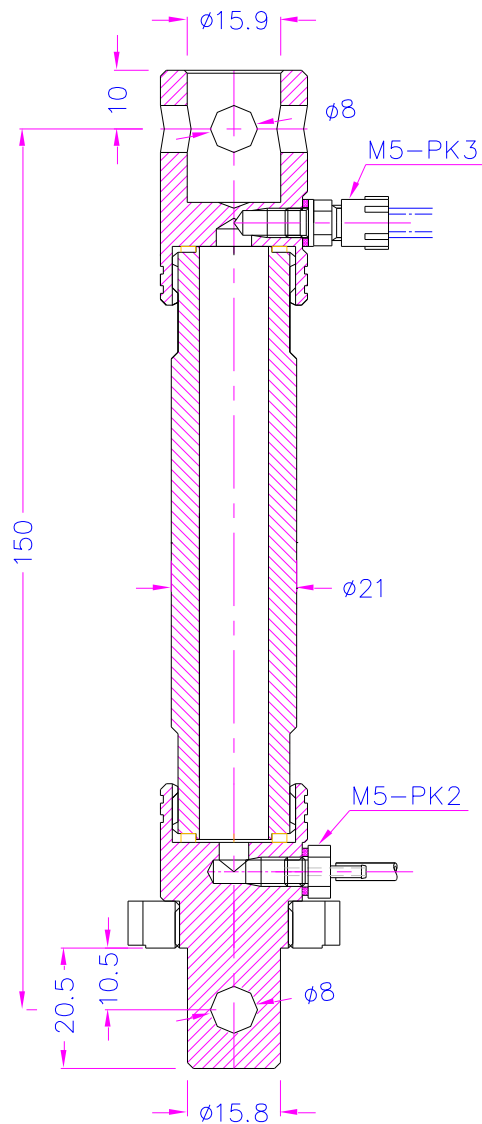


THS521-Am158-Af159-D21-L400-psd
THS521-Am158-Af159-D21-L150

THS521-A-B-C-D



THS521-Am158-Af159-D21-L150

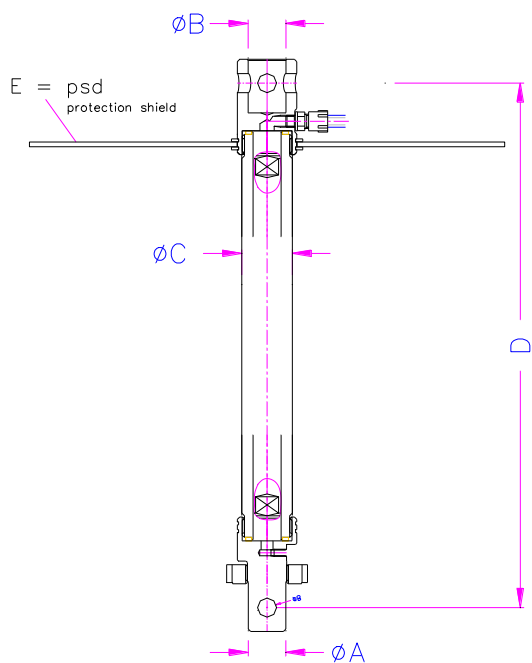


THS521 pull rod adapter with TH94 pneumatic grip

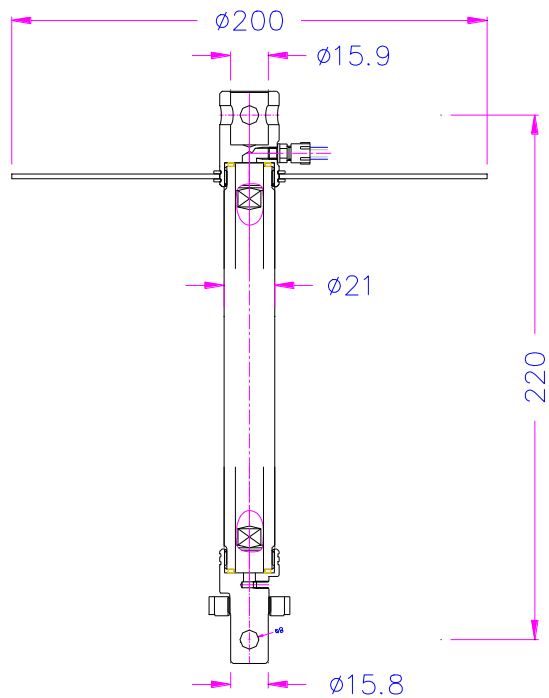


THS521-Am158-Af159-D21-L150

THS521-A-B-C-D-E



THS521-Am158-Af159-D21-L220-psd



THS521-A-B-C-D-E in a temperature chamber:

