

**WEDGE GRIPS 20, 50, 100 and 150 kN**

Self-clamping specimen holders. The body moves upwards. The jaws move only horizontally. The main gripping force is generated during the test by wedging action.

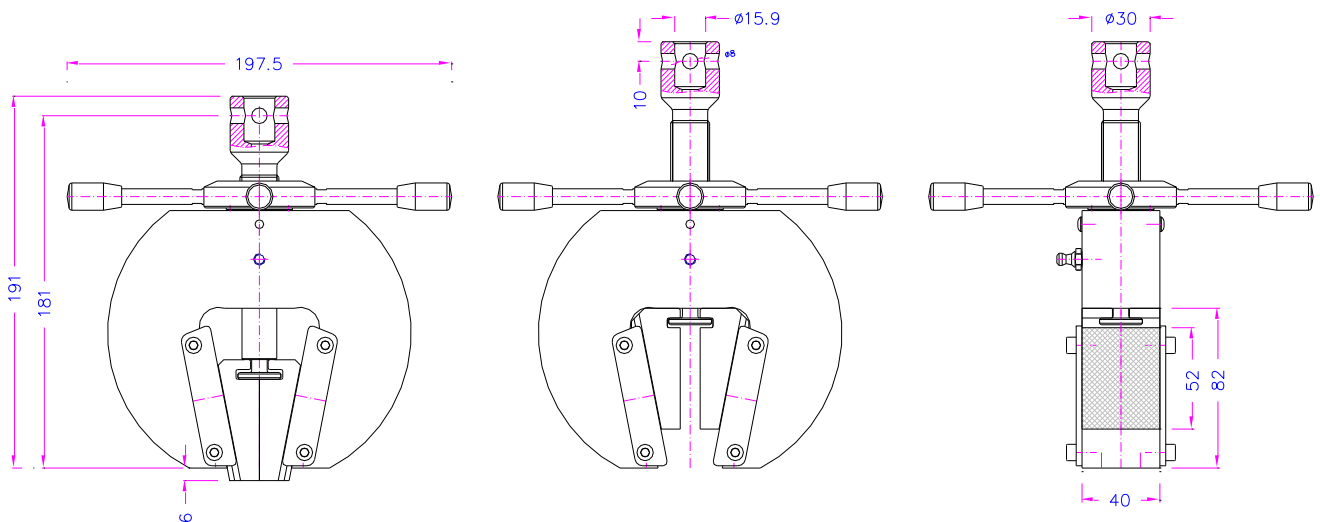
Open construction design - wider jaws are possible.

**THS527-20**

<b>Item number:</b>	<b>THS527-20</b>
Tensile force:	20 kN
Adapter:	Af159 and Af20 Adapters in other sizes possible on request
Grip dimensions:	Height: 189-211 mm (min. - max.) Width: 152 mm
Jaw clamping surface:	52 x 40 mm (height x width)
Temperature range:	0°C ... +130°C Further temperature ranges on request
Weight per grip without jaws:	4.8 kg
Scope of delivery:	1 pair of grips without jaws



THS527-20 with THS527-20-BP jaws



THS527-20-BP10 – 0-10mm  
 THS527-20-BP16 – 6-16mm  
 THS527-20-BP22 – 12-22mm

THS527-20-BV10 – Ø3-10mm  
 THS527-20-BV16 – Ø8-16mm  
 THS527-50-BV22 – Ø12-22mm

**Jaws for THS527-20**

Item no.:	Surface:	Weight per pair:	Opening:
THS527-20-BP10	Pyramid jaws 1.2x45°	0.74 kg	0 – 10 mm
THS527-20-BP16	Pyramid jaws 1.2x45°	0.61 kg	6 – 16 mm
THS527-20-BP22	Pyramid jaws 1.2x45°	0.52 kg	12 -22 mm
THS527-20-BV10	V-jaws	0.75 kg	Sample Ø 3 – 10 mm
THS527-20-BV16	V-jaws	0.65 kg	Sample Ø 8 – 16 mm
THS527-20-BV22	V-jaws	0.54 kg	Sample Ø 12 – 22 mm



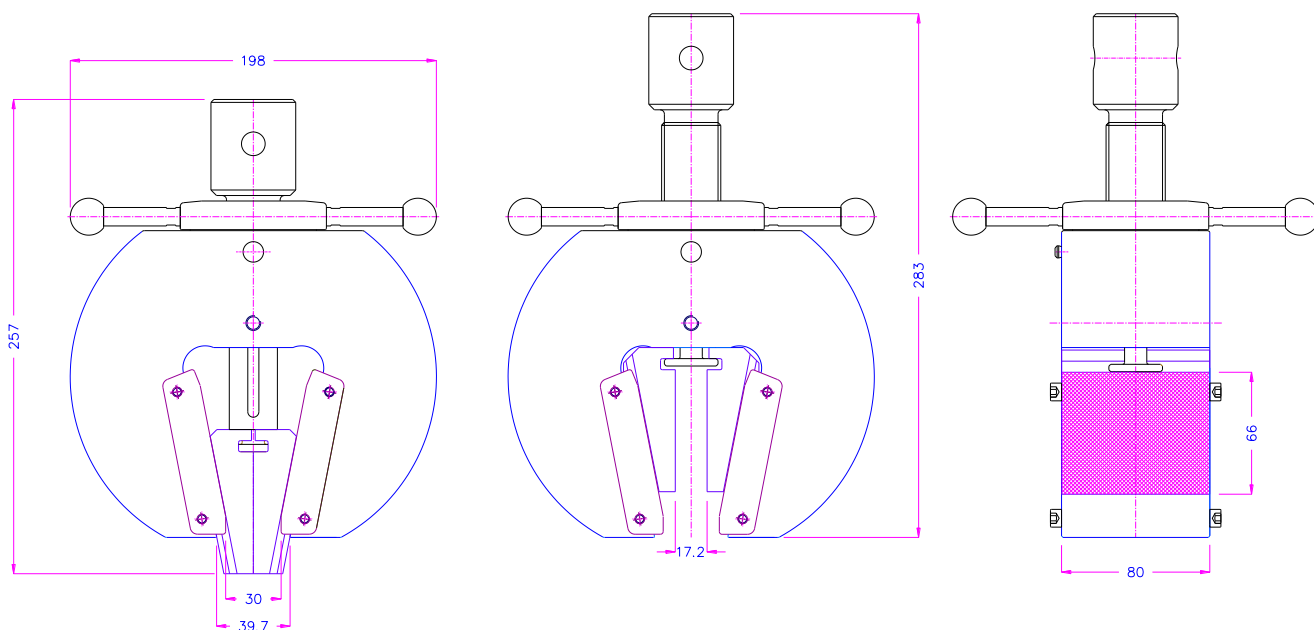
THS527-20-BV jaws

**THS527-50**

<b>Item number:</b>	<b>THS527-50</b>
Tensile force:	50 kN
Adapter:	Af318 Adapters in other sizes possible on request
Grip dimensions:	Height: 257-283 mm (min. – max.) Width: 198 mm
Jaw clamping surface:	66 x 80 mm (height x width)
Temperature range:	0°C ... +130°C Further temperature ranges on request
Weight per grip without jaws:	15.2 kg
Scope of delivery:	1 pair of grips without jaws



THS527-50 with THS527-50-BP jaws



BP17	0-17	BP30	15-30
BV17	5-17	BV30	16-30

THS527-50

**Jaws for THS527-50**

Item no.:	Surface:	Weight per pair:	Opening:
THS527-50-BP17	Pyramid jaws 1.2x45°	2.07 kg	0 – 17 mm
THS527-50-BP30	Pyramid jaws 1.2x45°	1.54 kg	15 – 30 mm
THS527-50-BV17	V-jaws	2.08 kg	Sample Ø 5 – 17 mm
THS527-50-BV30	V-jaws	1.55 kg	Sample Ø 16 – 30 mm



THS527-50-BP jaws

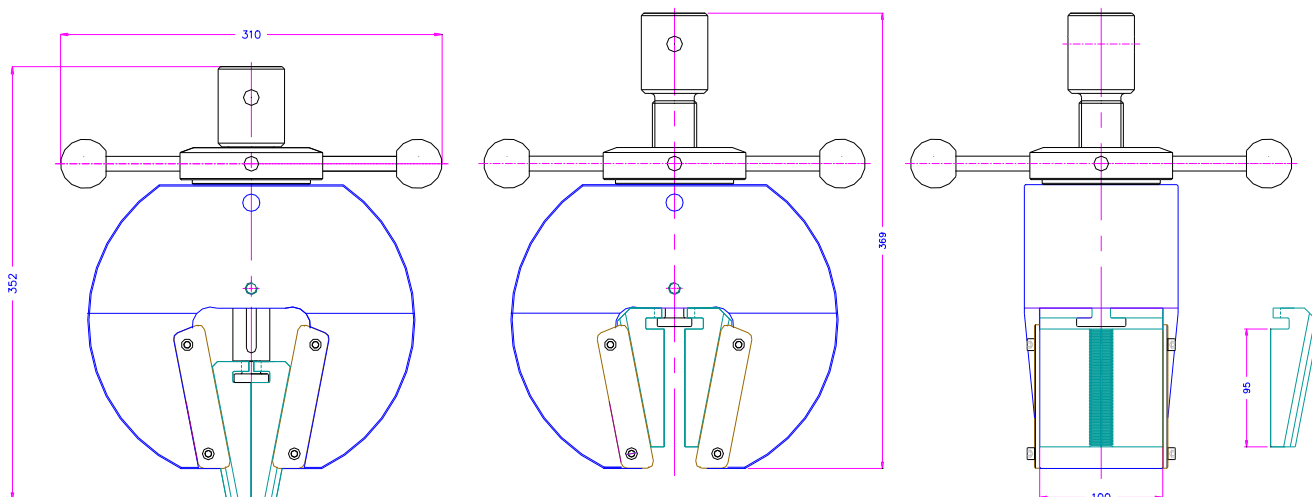
**THS527-100**

<b>Item number:</b>	<b>THS527-100</b>
Tensile force:	100 kN*
Adapter:	Af318 or Af40 Adapters in other sizes possible on request
Grip dimensions:	Height: 352-369 mm (min. – max.) Width: 310 mm
Jaw clamping surface:	95 x 100 mm (height x width)
Temperature range:	0°C ... +130°C Further temperature ranges on request
Weight per grip without jaws:	43,2 kg
Scope of delivery:	1 pair of grips without jaws



THS527-100 + THS527-100-BP jaws

\*At 350°C max tensile force is 80 kN



**Jaws for THS527-100**

<b>Item no.:</b>	<b>Surface:</b>	<b>Weight per pair:</b>	<b>Opening:</b>
THS527-100-BP16	Pyramid jaws 1.2x45°	4.89 kg	0 – 16 mm
THS527-100-BP28	Pyramid jaws 1.2x45°	3.67 kg	13 – 28 mm
THS527-100-BV16	V-jaws	4.93 kg	Sample Ø 5 – 16 mm
THS527-100-BV28	V-jaws	3.96 kg	Sample Ø 16 – 28 mm



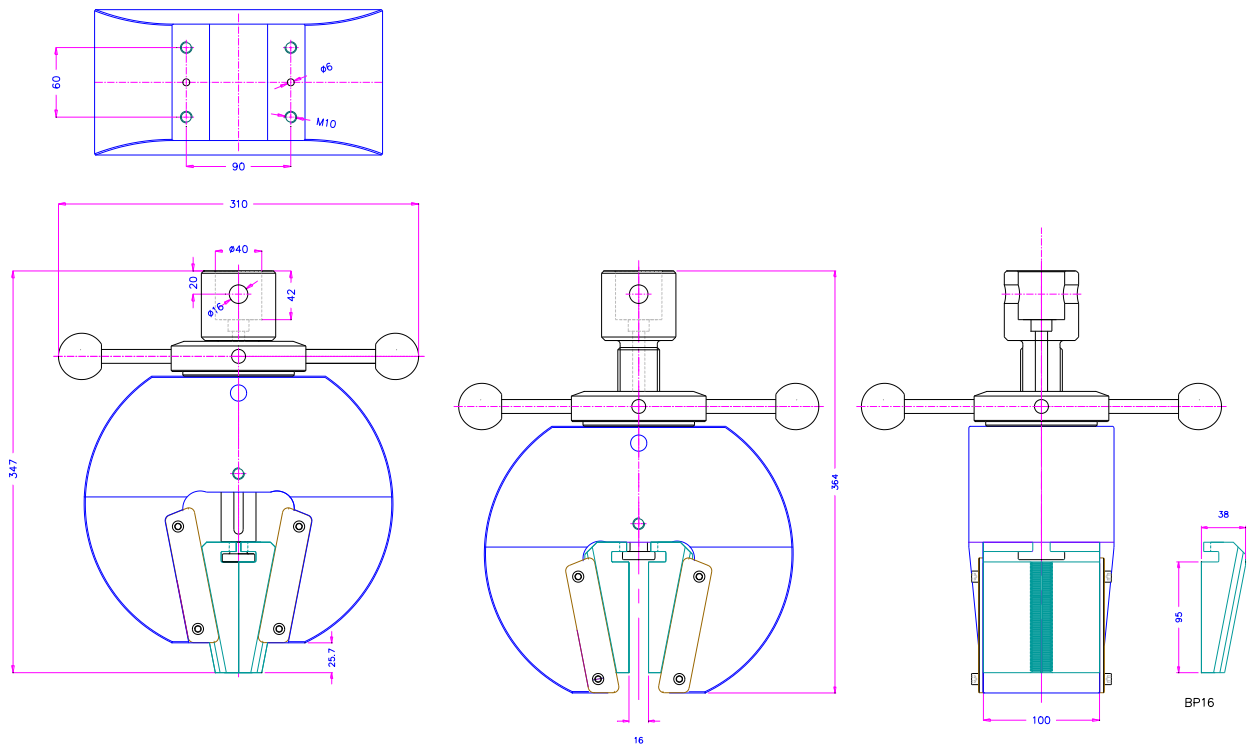
THS527-100-BP jaws

**THS527-150**

<b>Item number:</b>	<b>THS527-150</b>
Tensile force:	150 kN
Adapter:	Af40 Adapters in other sizes possible on request
Grip dimensions:	Height: 347-364 mm (min. – max.) Width: 310 mm
Jaw clamping surface:	95 x 100 mm (height x width)
Temperature range:	0°C ... +130°C Further temperature ranges on request
Weight per grip without jaws:	43.2 kg
Scope of delivery:	1 pair of grips without jaws



THS527-150 + THS527-150-BP jaws



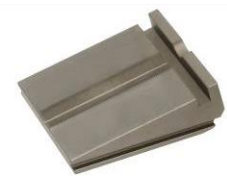
48kg

BP16	0–16	BP28	17–28
BV16	5–16	BV28	17–28

THS527–150–Af40/16

**Jaws for THS527-150**

Item no.:	Surface:	Weight per pair:	Opening:
THS527-150-BP16	Pyramid jaws 1.2x45°	4.89 kg	0 – 16 mm
THS527-150-BP28	Pyramid jaws 1.2x45°	3.67 kg	17 – 28 mm
THS527-150-BV16	V-jaws	4.93 kg	Sample Ø 5 – 16 mm
THS527-150-BV28	V-jaws	3.96 kg	Sample Ø 17 – 28 mm



THS527-150-BV jaws

**Custom-made solutions:**



**THS527-20-T280**  
20 kN, temperature range -70...+280°C\*\*



**THS527-50+BP125**  
with special wide jaws 125x100 mm



**THS527-200**  
200 kN



**THS527-250-Ko**  
Pneumatic version, 250 kN

\*\*at 280°C max force declines by 30%