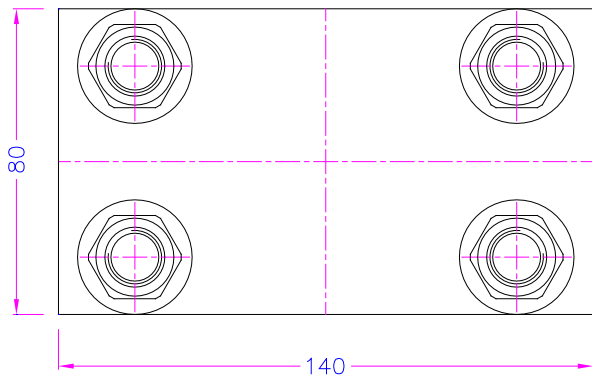
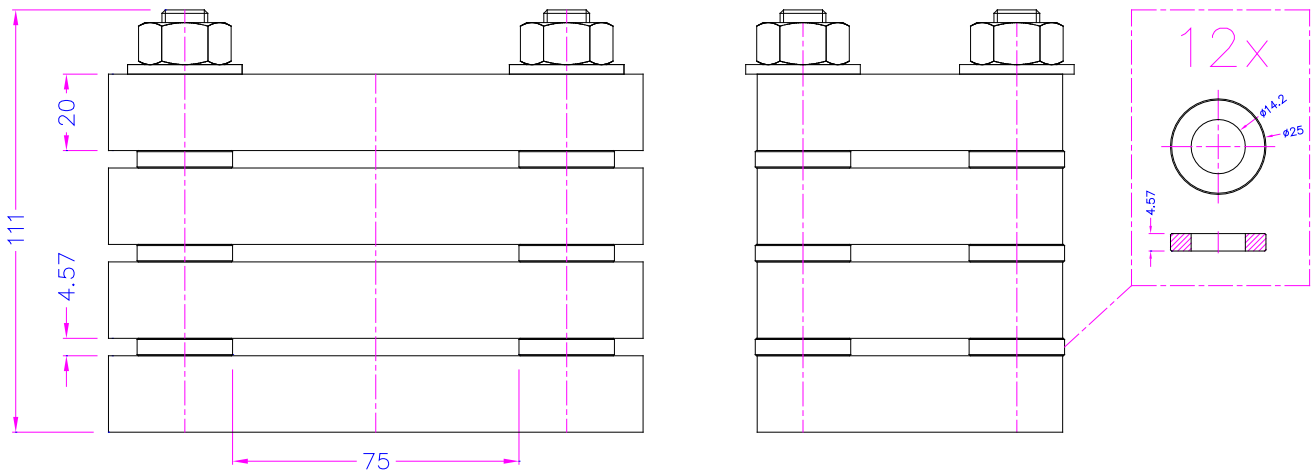


### COMPRESSION SET FIXTURE

to test rubber deformation under constant deflection

<b>Item no.:</b>	<b>THS578-4P-DVR4.57</b>
Platens:	4 platens, stainless steel
Temperature range:	-70 ... +280°C Further temperature ranges on request
Weight:	7.3 kg per fixture incl. spacer rings
Scope of supply:	1 fixture incl. 12 spacer rings 4.57 mm thick



**THS578-3P-DVR4.57-V2A**  
Special version with 3 compression platens and 8 spacer rings

See also:



**THS757-60**

Compression set fixture to test rubber according to ASTM-D395 Test Method A

See [THS757-60 Datasheet.pdf](#)



**THS757-20**

Compression set fixture to test rubber according to ASTM-D395 Test Method B

See [THS757-20 Datasheet.pdf](#)