

COMPRESSION LOADING FIXTURE FOR COMPOSITE TESTING

according to

ASTM-D3410: Compressive Properties of Polymer Matrix Composite Materials with Unsupported Gage Section by Shear Loading;

ISO 8515: Textile-glass-reinforced plastics - Determination of compressive properties in the direction parallel to the plane of lamination;

DIN EN ISO14126: Fibre-reinforced plastic composites - Determination of compressive properties in the in-plane direction;

AiTM1-0008: Fibre Reinforced Plastics – Determination of Plain, Open Hole and Filled Hole Compression Strength.

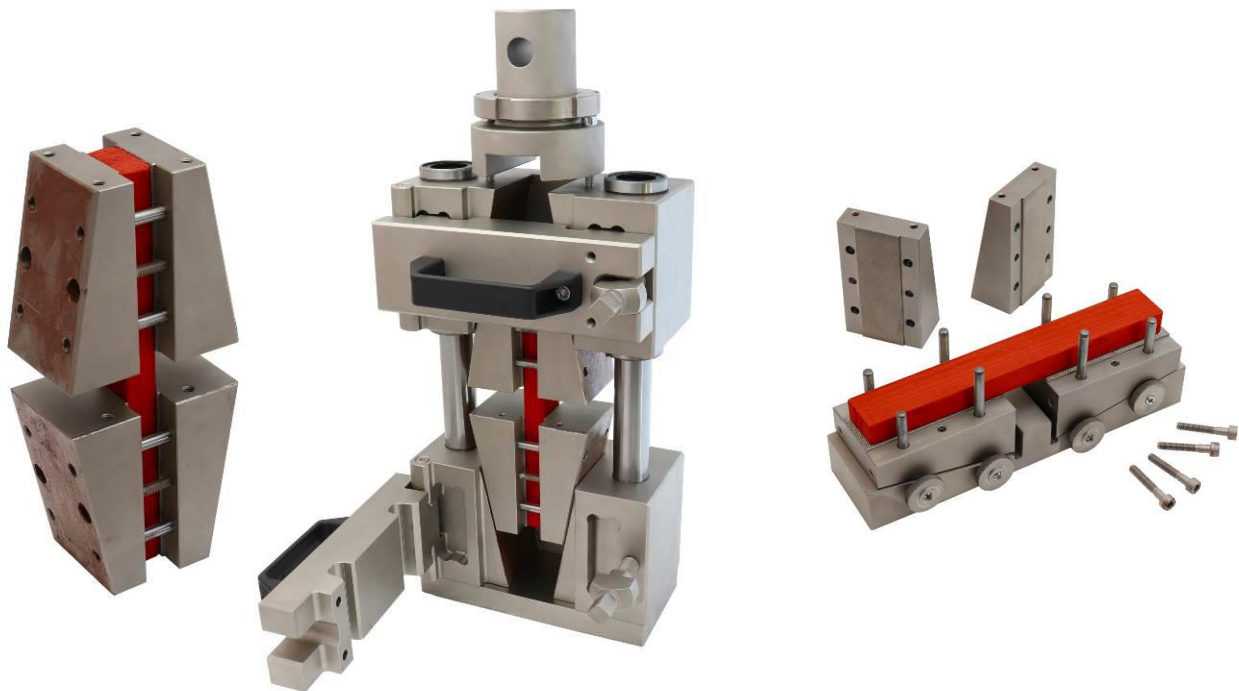
Item no./	THS613-F150	-10...+80°C
Temperature range	THS613-F150-T-10+200	-10...+200°C
	THS613-F150-T-70+280	-70...+280°C
	THS613-F150-T-70+350	-70...+350°C

Max. load: 150 kN

Material: Steel, nickel-plated

Weight: 25 kg without jaws

Scope of delivery: 1 fixture without jaws. Specimen positioning tool to be ordered separately



Wedge jaws for THS613: Scope of delivery: 1 set = 4 jaws

Item no.	Surface	Clamping surface H x W	Opening	Weight per pair
THS613-BP6	Pyramid (serrated) jaws	30 x 90 mm	0 – 6 mm	2.04 kg
THS613-BP15	Pyramid (serrated) jaws	30 x 90 mm	6 – 15 mm	1.73 kg

THS613-ELHF

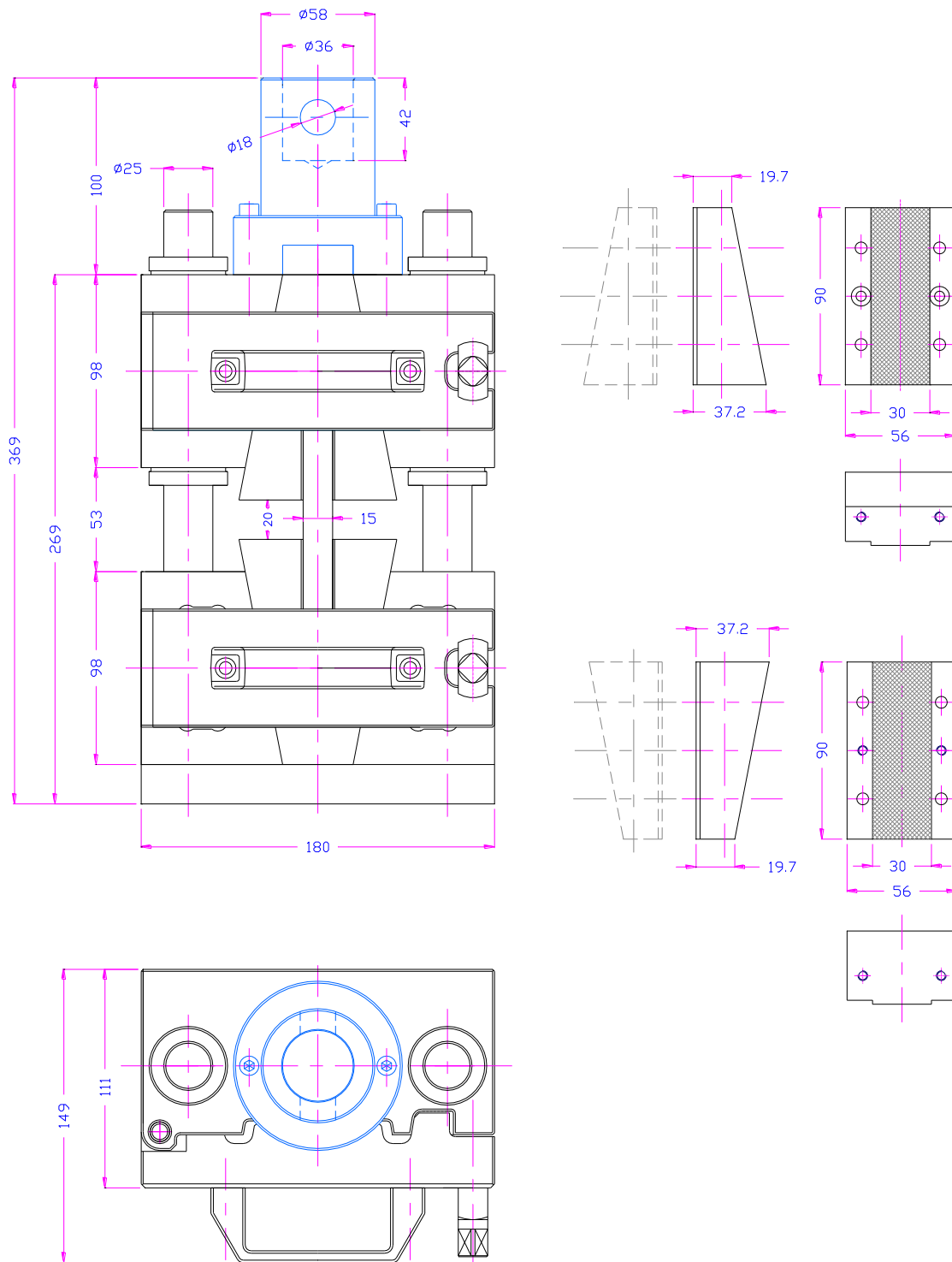
Specimen positioning tool,
includes spacer, base and pins



with jaws



without jaws



Video:



<https://www.youtube.com/watch?v=Dr0lbm3tfNc>