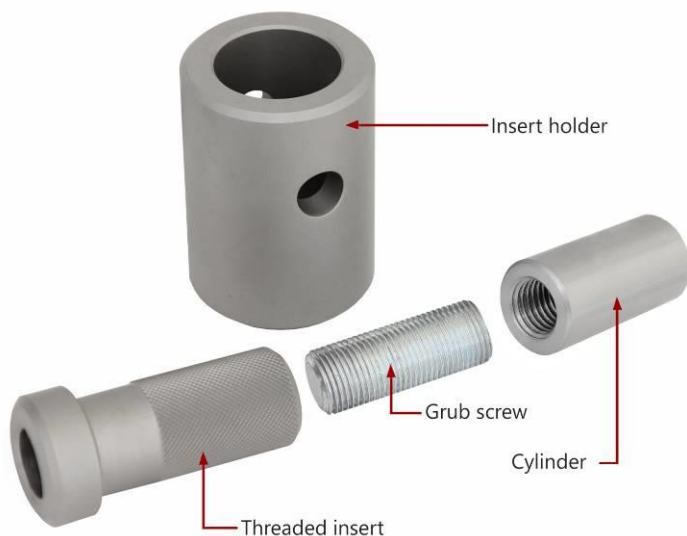
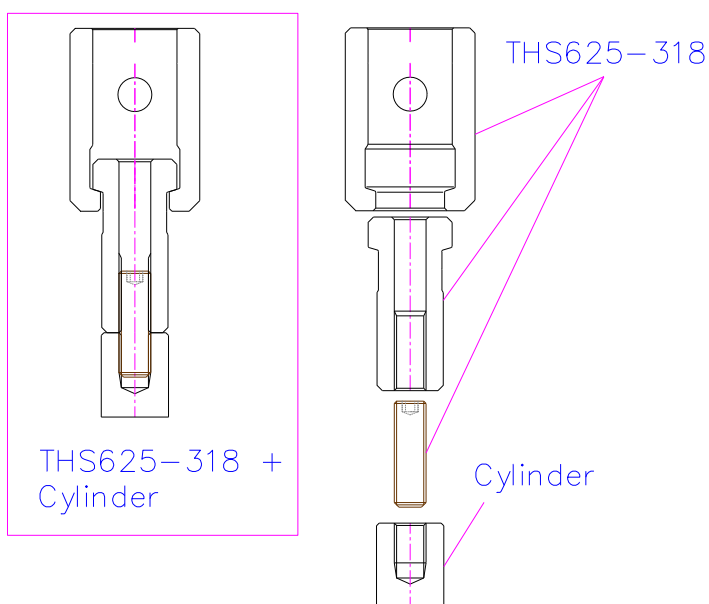


## BOND STRENGTH FIXTURES

to test tensile adhesion strength of thermal spray coatings according to ASTM-C633, DIN EN582, ASTM-D4541 (type V), DIN EN ISO4624, DIN EN ISO14916, ISO13779-4, and ASTM-F1147 (fig. 2 & 3).

- Material: Steel or aluminium
- Temperature range: -70 ... +180°C. Further temperature ranges on request.
- Coupling: Af318. Further coupling on request.
- Max. load: 50 kN
- Scope of supply:
  1. 2 insert holders with coupling Af318 (incl. 2 threaded inserts and 2x M16 grub screws) and
  2. 2 test cylinders (see p. 2).

Additional test cylinders can be ordered separately.



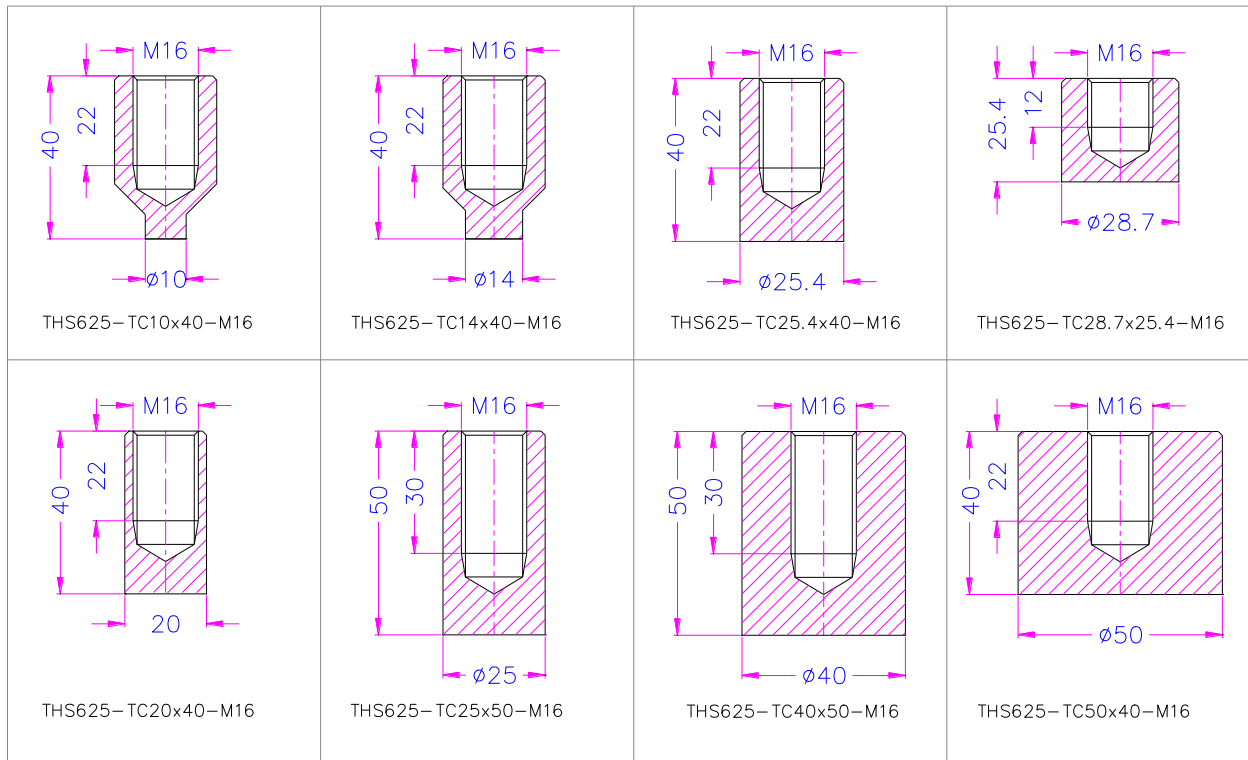
Test cylinders for THS625\*:

| Cylinder item no.:     | ASTM-C633 | DIN EN582 | ASTM-D4541 (type V) | DIN EN ISO4624 | ISO 13779-4 | ASTM-F1147 (fig. 2) | ASTM-F1147 (fig. 3) | DIN EN ISO 14916 | Test surface $\varnothing$ |
|------------------------|-----------|-----------|---------------------|----------------|-------------|---------------------|---------------------|------------------|----------------------------|
| THS625-TC25.4x40-M16   | x         |           |                     |                |             |                     | x                   |                  | 25.4 mm                    |
| THS625-TC25x50-M16     |           | x         |                     |                | x           |                     |                     | x                | 25 mm                      |
| THS625-TC40x50-M16     |           | x         |                     |                |             |                     |                     | x                | 40 mm                      |
| THS625-TC50x40-M16     |           |           | x                   |                |             |                     |                     |                  | 50 mm                      |
| THS625-TC20x40-M16     |           |           | x                   | x              |             |                     |                     |                  | 20 mm                      |
| THS625-TC14x40-M16     |           |           | x                   |                |             |                     |                     |                  | 14 mm                      |
| THS625-TC10x40-M16     |           |           | x                   |                |             |                     |                     |                  | 10 mm                      |
| THS625-TC28.7x25.4-M16 |           |           |                     |                |             | x                   |                     |                  | 28.7 mm                    |

\*Further dimensions according to standards on request

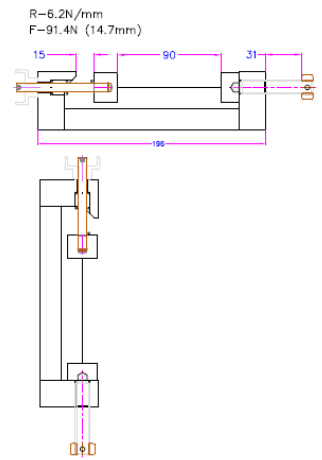
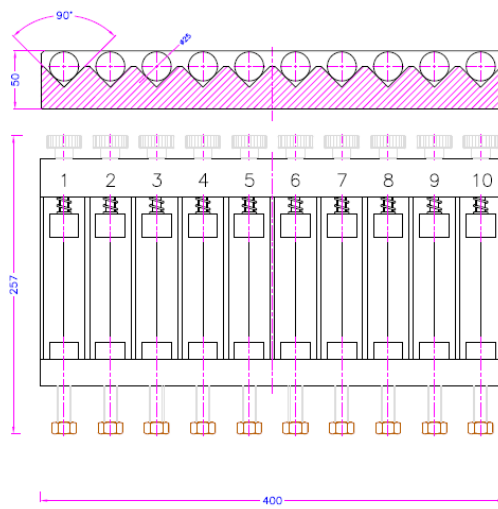
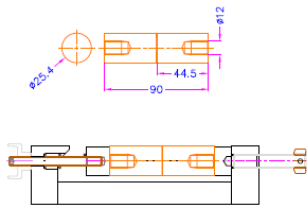


THS625-TC25x50-M16 according to DIN EN582



Accessoires

for sample preparation



THS788-10xZ25.4x40-M12