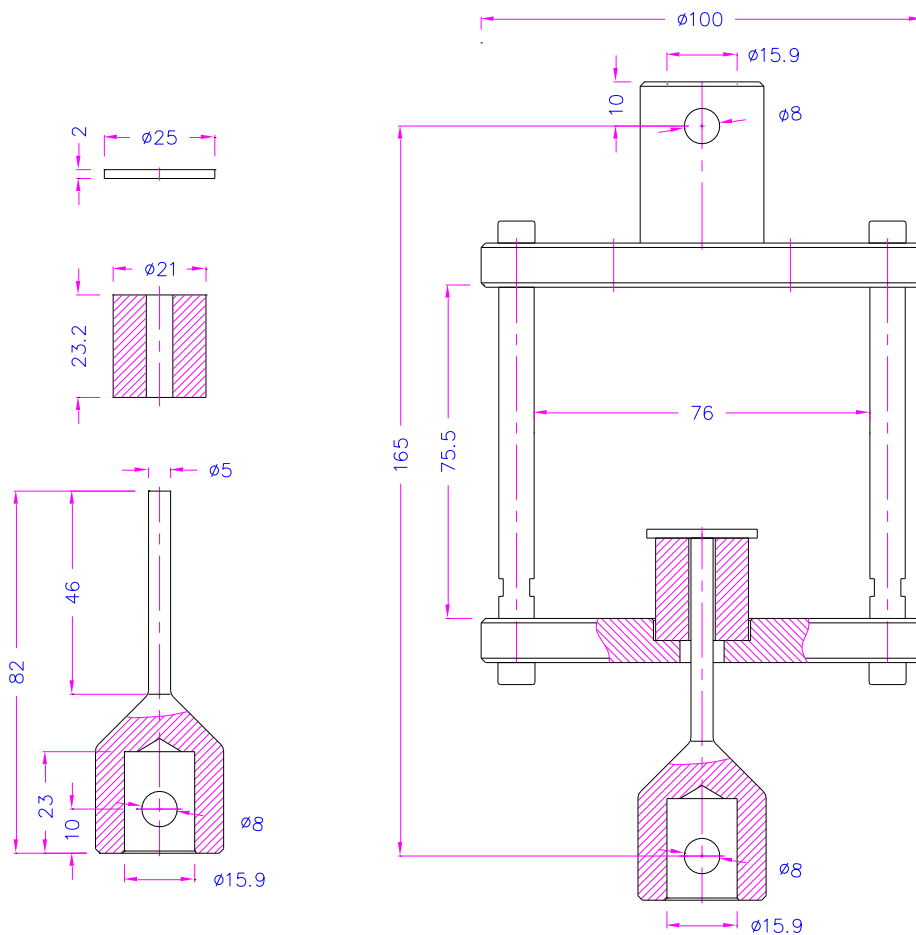
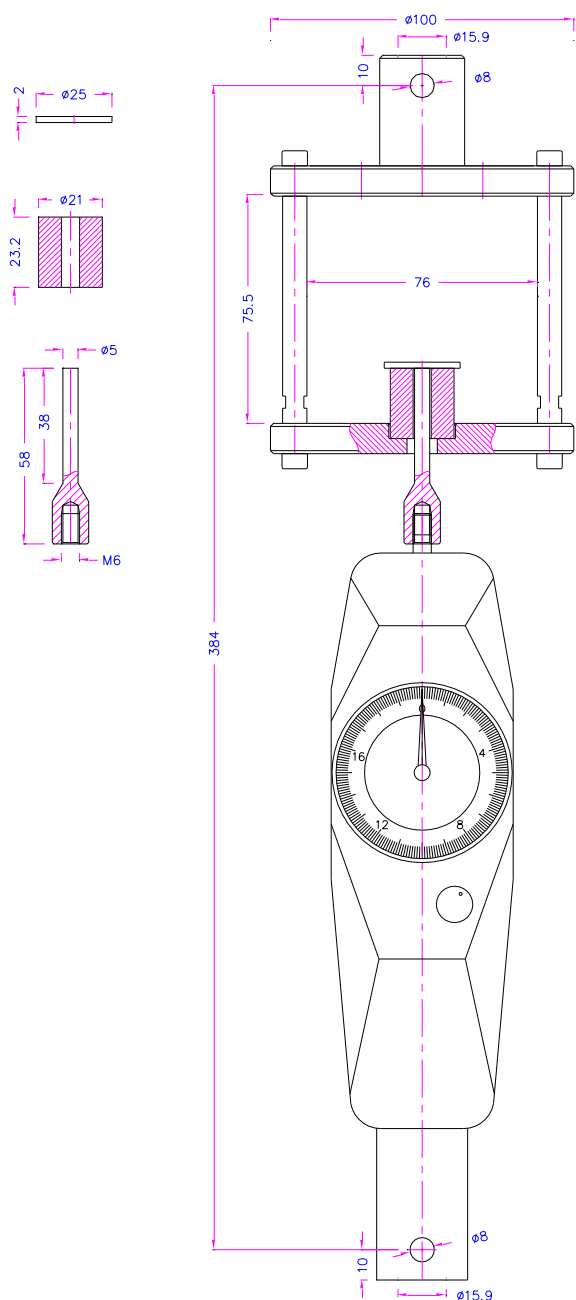


PRESSURE-SENSITIVE TACK TEST FIXTURE FOR ADHESIVES
 using an inverted probe machine according to ASTM-D2979

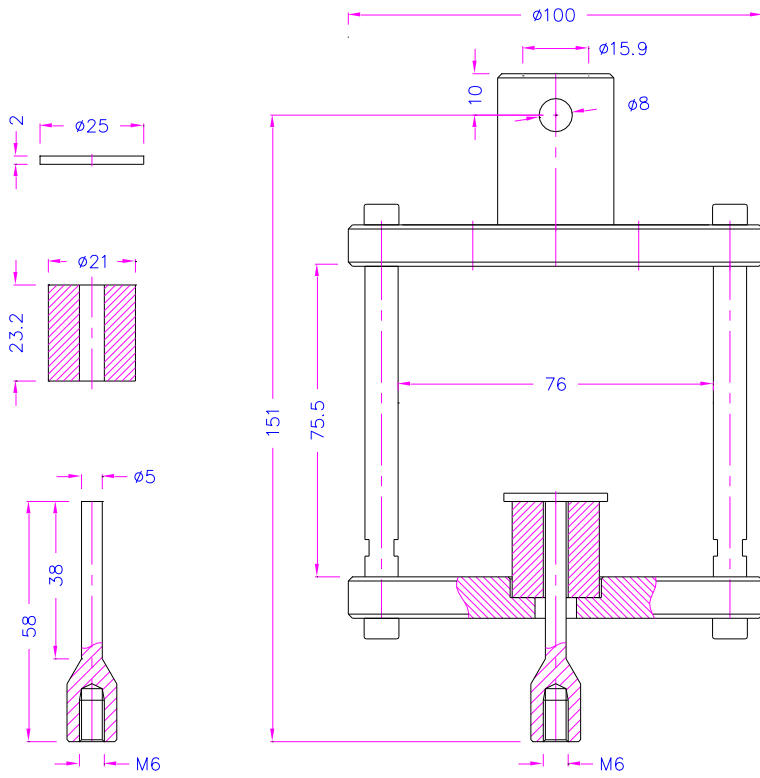
Item no.:	THS692-10
Coupling:	Af159 or Af20. Further couplings on request.
Body:	Aluminium, anodized
Probe:	Stainless steel
Temperature range:	0 ... +70°C Further temperature ranges on request
Weight:	0.86 kg per fixture incl. probe and adapter Af159
Scope of supply:	1 fixture with probe to use with tensile tester load cell



Item no.:	THS692-30-mKMG (with force gage) THS692-30-oKMG (without force gage)
Max. load:	20 N for force gage
Coupling:	Af159 or Af20 (THS692-30-mKMG) Af159 or Af20 for upper adapter and M6 inner thread for probe (THS692-30-oKMG) Further couplings on request
Body:	Aluminium, anodized
Probe:	Stainless steel
Temperature range:	0 ... +70°C Further temperature ranges on request
Weight:	1.7 kg per fixture incl. force gage and adapter (THS692-30-mKMG) 0.9 kg per fixture incl. probe and upper adapter (THS692-30-oKMG)
Scope of supply:	1 fixture incl. force gage (THS692-30-mKMG) or without force gage (THS692-30-oKMG)



THS692-30-mKMG (with force gage)



THS692-30-oKMG (without force gage)