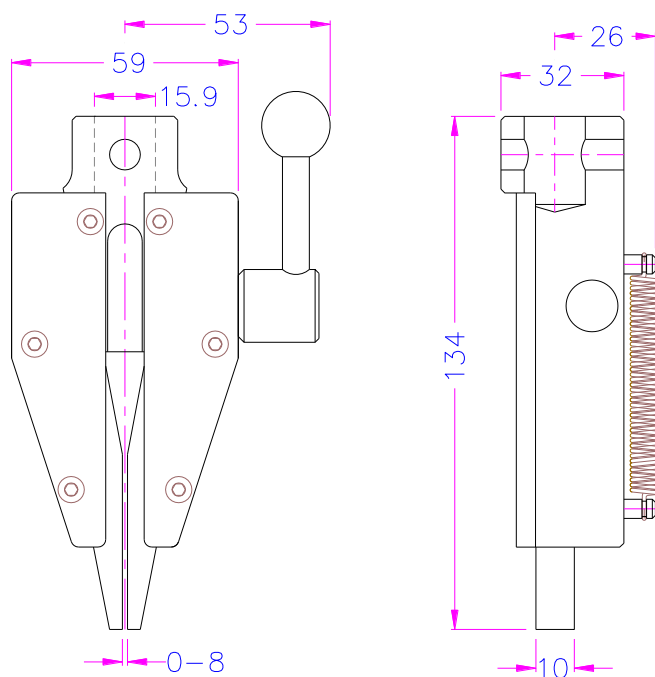


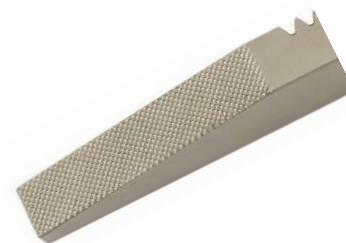
### WEDGE GRIP 10 kN

Universally applicable, easy to use.  
 Applicable for testing of small metal, plastic, etc. samples.  
 When the force is applied, the jaws tighten themselves.

<b>Item no.:</b>	<b>THS7-10</b>
Tensile force:	10 kN
Coupling:	Af159. Further couplings on request
Body:	Steel, nickel-coated
Temperature range:	0 ... +70°C Further temperature ranges on request
Weight:	1 kg per grip without jaws
Scope of delivery:	1 pair of grips without jaws. Jaws have to be ordered separately. Grips can also be ordered as 0.5 pair (1 grip).



THS7-BV



THS7-BP


**Jaws for THS7-10:** Scope of delivery 1 set = 4 jaws

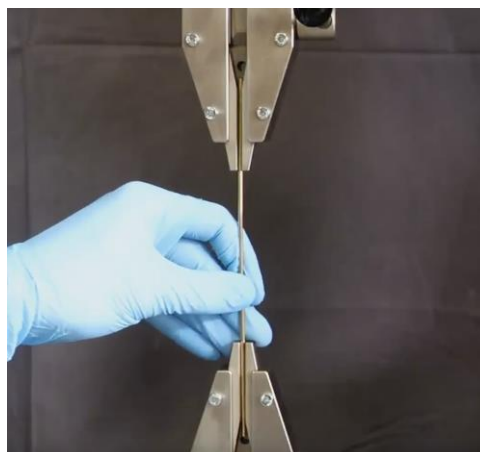
Item No.	Surface	Clamping surface H x W	Opening	Weight per pair
THS7-BP	Pyramid jaws (serrated)	40x10 mm	0 – 8 mm	0.15 kg
THS7-BV	V-jaws	Clamping height 40 mm	2 – 8 mm Ø	0.15 kg



Further jaw surfaces on request.

**Videos:**

**How to insert a sample + tensile test**

Watch video 



<p><b>Test with a short sample</b></p> <p> <a href="https://youtu.be/33vhf-DQMes">https://youtu.be/33vhf-DQMes</a></p>	
<p><b>Makro</b></p> <p> <a href="https://youtu.be/BQ_jbd3RDY">https://youtu.be/BQ_jbd3RDY</a></p>	

**Similar grips:**



THS341  
[Datasheet](#)



THS501 (pneumatic)  
[Datasheet](#)



THS205k  
[Datasheet](#)



THS470  
[Datasheet](#)