

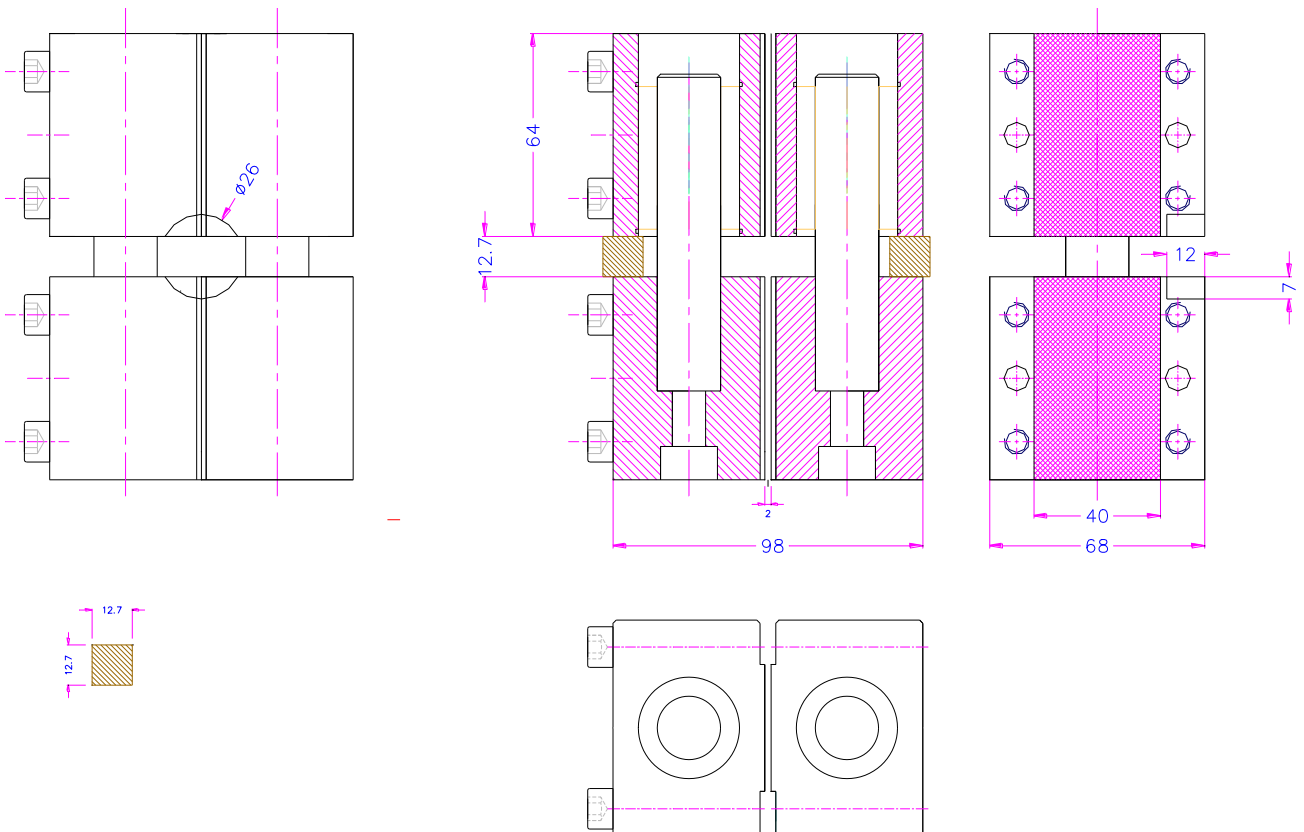
COMBINED LOADING COMPRESSION TEST FIXTURE

to determine compressive properties of polymer matrix composite materials according to ASTM-D6641, ISO 14126 (method B) using a combination of end loading and shear loading. The test specimen is placed between the two halves of the test fixture so that the ends of the specimen are flush with the bottom and upper surfaces of the fixture. The bolts of the fixture are tightened. The test fixture is placed between two compression platens in a testing machine. A strain measuring device can be attached to the specimen. The specimen is compressed to failure.

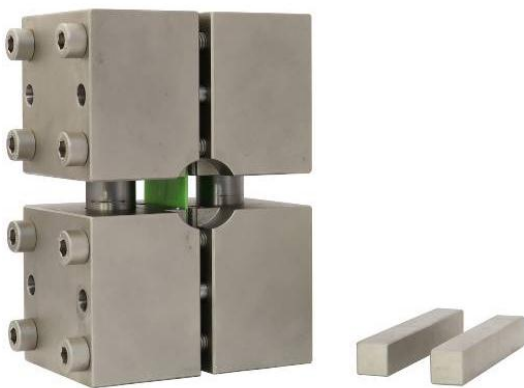
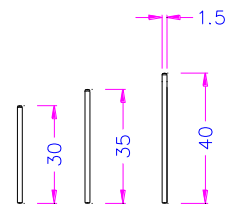
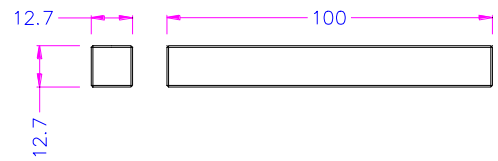
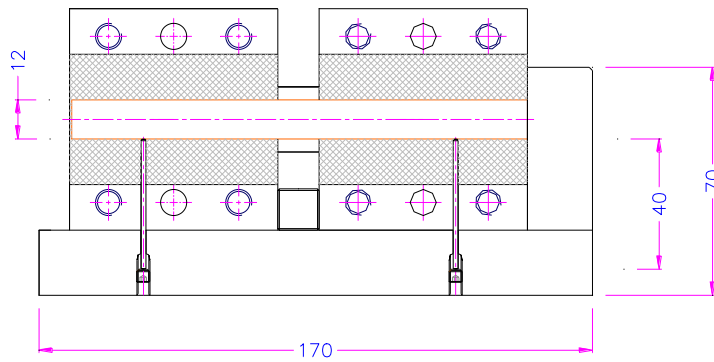
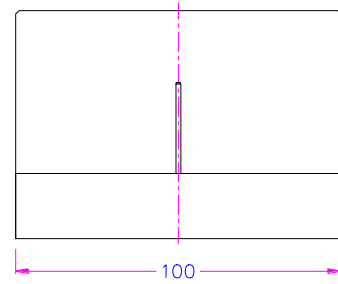
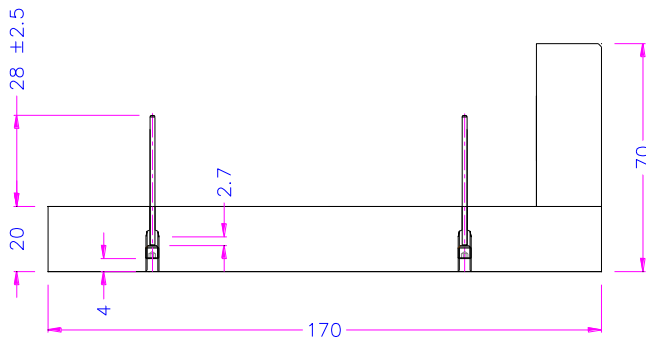
Item no.:	THS705-2G
Max. load:	100 kN
Unsupported sample gauge length:	12.7 mm (0.5 in)
Body:	Steel, nickel-plated
Gripping surface:	64x 40 mm (HxW) Serrated (pyramids 1.2x45°) or diamond-coated
Temperature range:	-20° ... +80°C Further temperature ranges on request
Weight:	6 kg
Scope of delivery:	1 fixture incl. alignment bars and sample positioning tool. Compression platens must be ordered separately.



THS705-2G with alignment bars and sample positioning tool



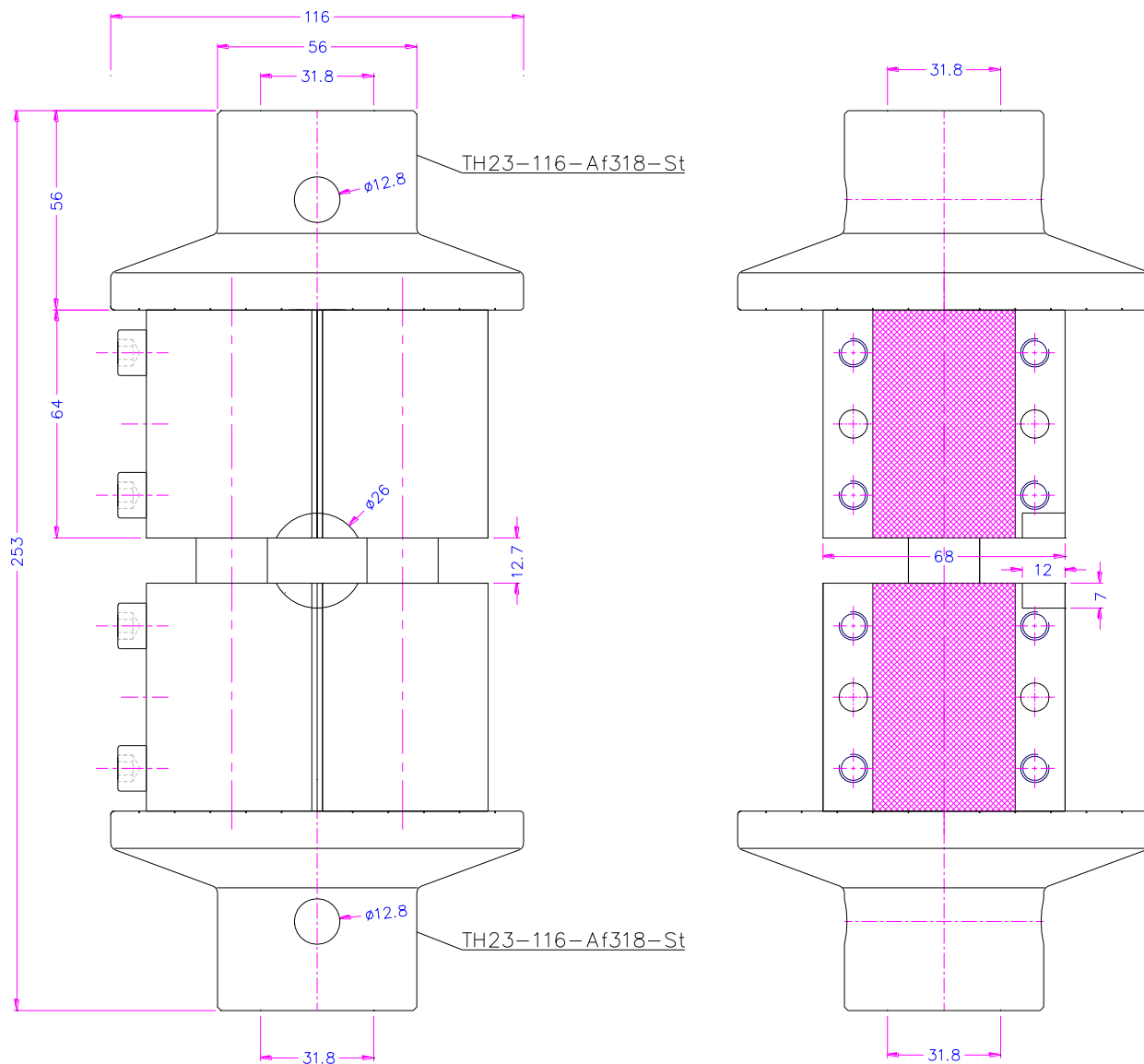
Sample positioning tool and alignment bars



THS705-2G with alignment bars



THS705-2G with alignment bars



THS705-2G + TH23-116-Af318-St

Recommendation for lower and upper compression platens for THS705-2G:

Item no.:	TH23-116-St
Standard coupling:	Af318 mm Further couplings on request
Body:	Hardened steel, 58 HRC, nickel-plated



HYDRAULIC COMBINED LOADING COMPRESSION TEST FIXTURE

to test in-plane compressive properties of fibre-reinforced plastic composites to ISO 14126, ASTM-D6641.

Item no.: THS705+Ko-ISO14126

Max. load: 100 kN

Unsupported sample gauge length: 10 mm (3.9 in) (ISO 14126 Specimen B1)
25 mm (9.8 in) (ISO 14126 Specimen B2)

Body and jaws: Steel, nickel-plated

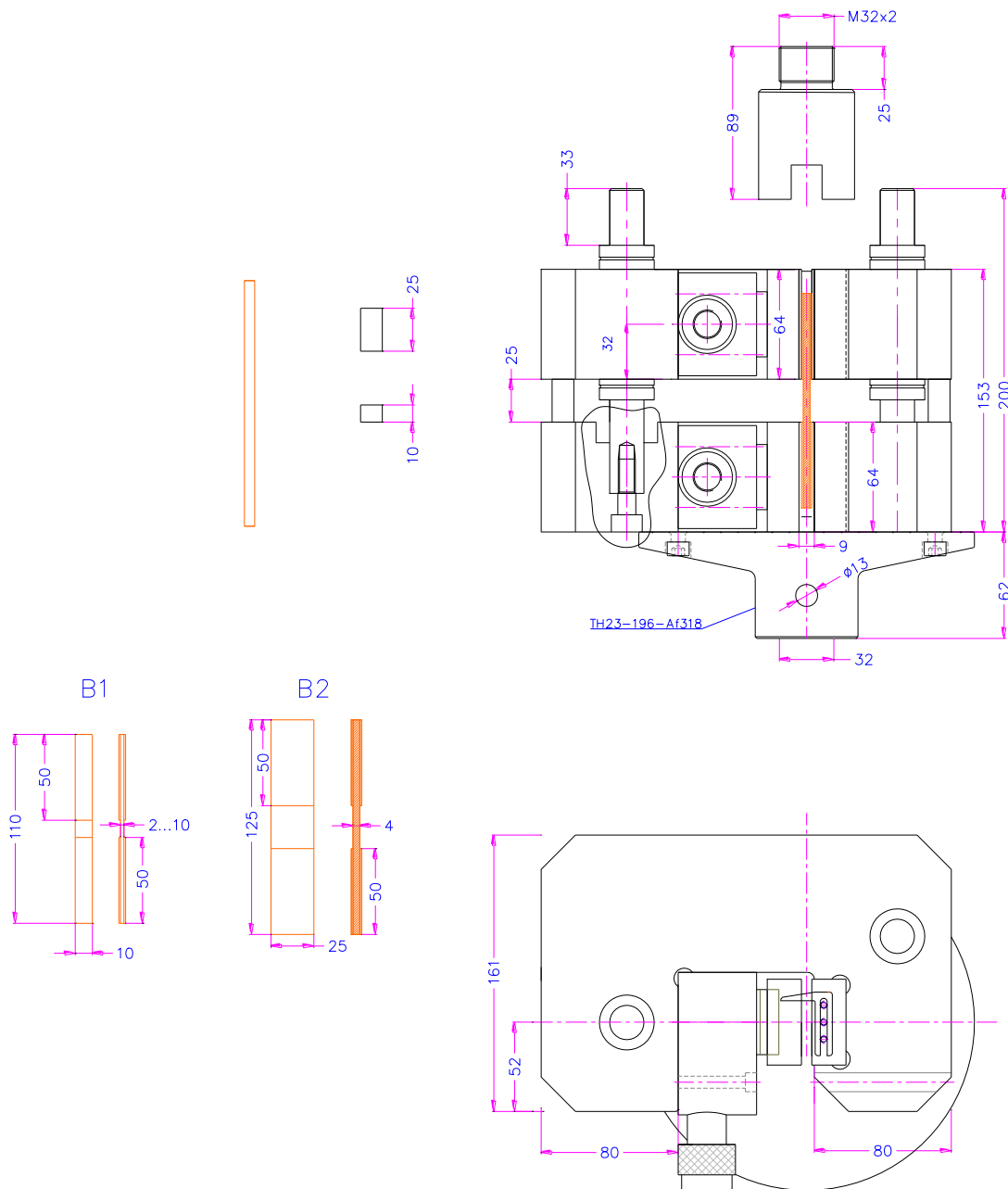
Gripping surface: 64x27 mm (HxW)
Serrated (pyramids 1.2x45°) or diamond-coated

Standard temperature range: -20° ... +80°C
Further temperature ranges on request



Scope of delivery: 1 fixture including 2 alignment bars 10x10 mm (3.9x3.9 in),
2 alignment bars 25x25 mm (9.8x9.8 in), upper compression pin,
2 hydraulic foot pedals.

Lower compression platen is not included in scope of delivery.



Recommendation for lower compression platen for THS705+Ko-ISO14126**Item no.:** TH23-196-St

Standard coupling: Af318 mm. Further couplings on request.

Body: Hardened steel, 58 HRC, nickel-plated

