

NAIL SHANK TEAR TESTING FIXTURE

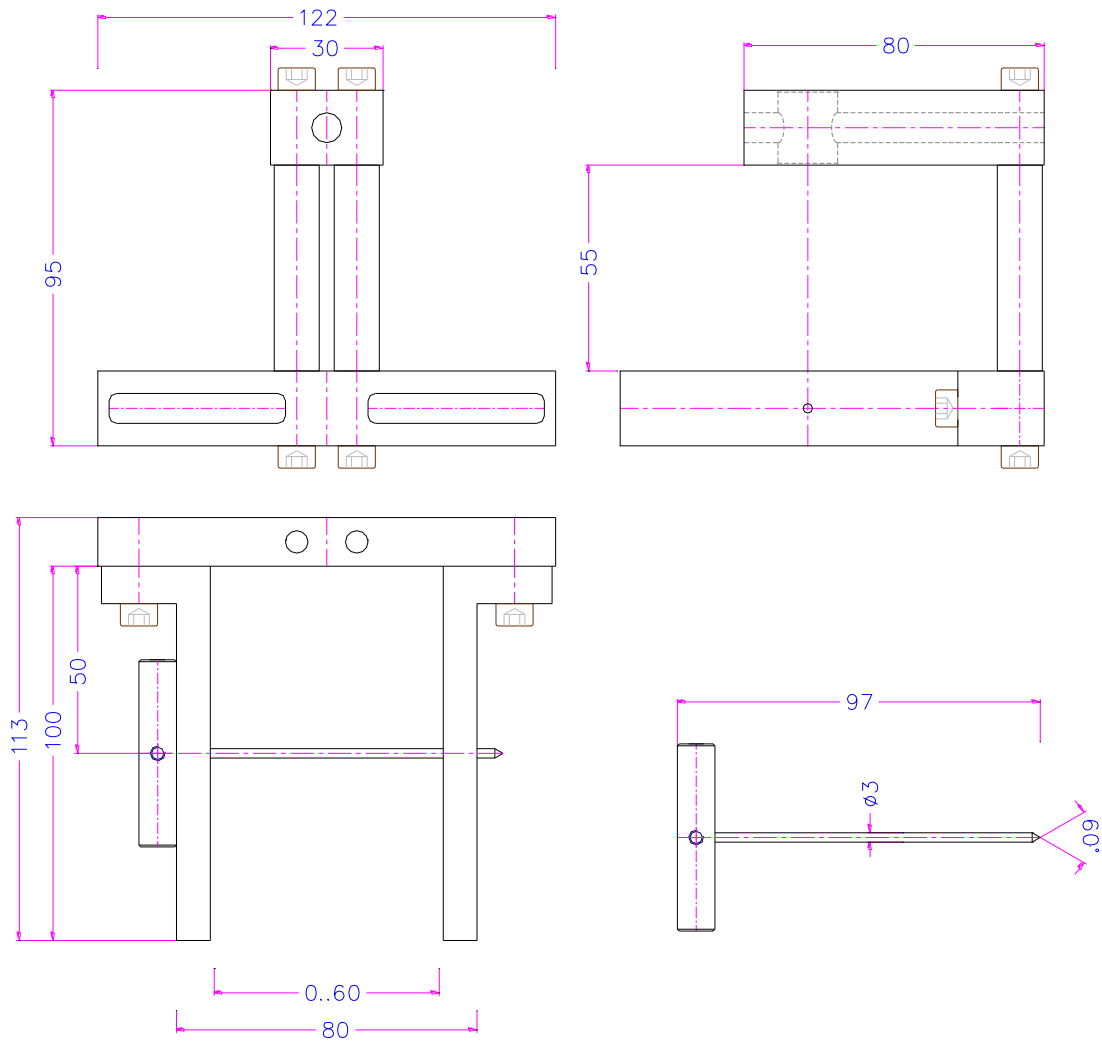
according to EN 12310-1: Flexible sheets for waterproofing - Part 1: Bitumen sheets for roof waterproofing; determination of resistance to tearing (nail shank).



The fixture consists of a stirrup with two arms to hold the specimen and the adapter bar. The arms have locating holes for the nail shank. The specimen is inserted between the arms of the stirrup. A sharpened nail shank is pushed through locating holes to fix the specimen leaving 50 ± 5 mm from the specimen end inside the stirrup. The free end of the specimen is gripped by the upper grip. During tensile test, the load required to tear the specimen towards its end by the nail shank is measured.

Item no.:	THS716-EN12310
Max. load:	2 kN
Coupling:	Af159 or Af20. Further couplings on request
Opening:	0-60 mm
Body:	Aluminium, anodized
Nail shank:	Nail shank: steel, hardened, nickel-plated Handle: V2A stainless steel
Temperature range:	0 ... +70°C. Further temperature ranges on request
Weight:	0.46 kg per grip
Scope of supply:	One fixture incl. nail shank. Upper grip is required for testing (not included in scope of supply, must be ordered separately)





THS716-EN12310-1

Recommendation for upper grip:



TH83 grip



TH83-BW100 jaws

TH83+BW100

Pneumatic grip with wave jaws, 40 x 100 mm clamping surface

[Datasheet](#)