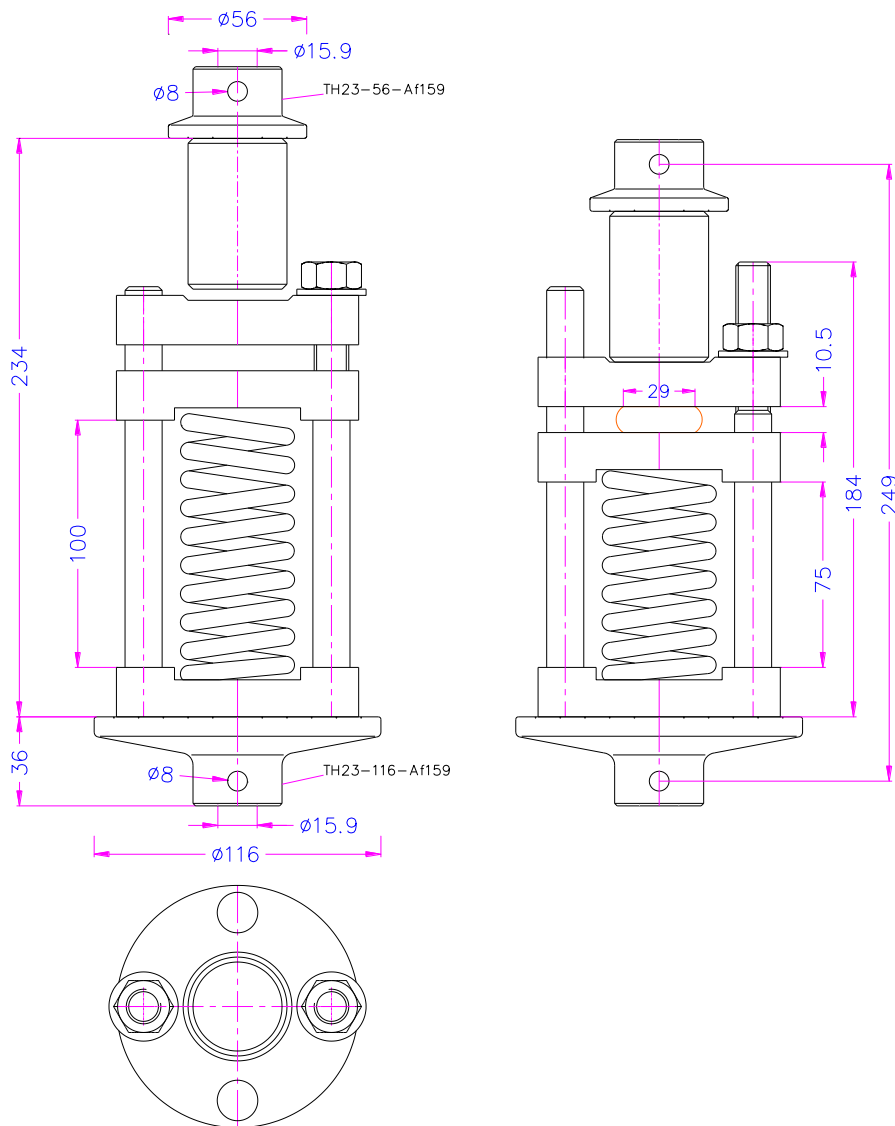


COMPRESSION SET FIXTURE

similar to ASTM-D395 Test Method A. Standard Test Methods for Rubber Property — Compression Set – Compression Set Under Constant Force In Air.

The test specimen is placed in the center between the plates of the compression fixture. The 2 nuts of the fixture are tightened to apply constant compressive force.

Item no.:	THS757-60
Platens:	Roughness max. 250 µm (10 µin.)
Max. load:	2,6 kN
Spring rate:	74,423 N/mm
Max. way at static load:	34,65 mm
Temperature range:	-70°...+250°C Further temperature ranges on request
Scope of delivery:	1 fixture incl. compression pin. Lower and upper compression platens are required for the test (must be ordered separately).



Recommendation for lower and upper compression platens:

Item no.:	TH23-56-St (upper platen) 50 mm Ø TH23-116-St (lower platen) 116 mm Ø
Standard coupling:	Af159 mm. Further couplings on request
Material:	Hardened steel, 58 HRC, nickel-plated
	TH23 data sheet.pdf



See also: [THS757-20 Datasheet](#) similar to ASTM-D395 Test Method B

