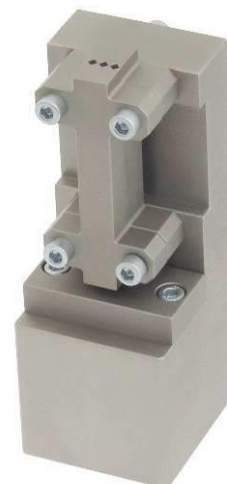


## COMPRESSION TEST FIXTURE

to determine compressive strength and compressive modulus of plastic or composite specimens according to ASTM D695-Fig.4, ASTM D3846, EN 2850, ISO 14126-Fig.C2, GOST 9550-81, SACMA-SRM1.

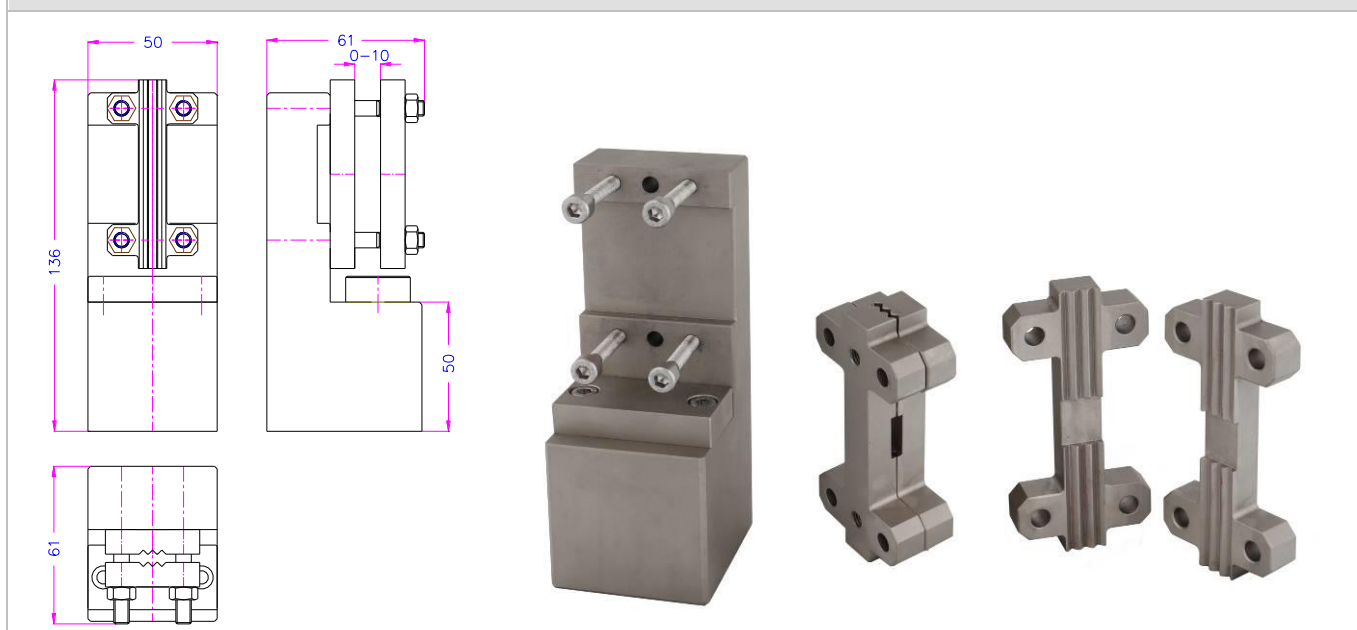
The fixture consists of 1 carrier and 1 pair of inserts.  
The carrier is compatible with all standard inserts.



<b>Item no.:</b>	<b>THS793-GT</b> (carrier) <b>THS793-E-X</b> (insert; X=test standard, see table)
Max. load:	100 kN
Body:	Steel, nickel-plated. Inserts hardened.
Temperature range:	-70 ... +280°C Further temperature ranges on request
Weight:	1.9 kg per fixture
Scope of delivery:	1 fixture consisting of 1 carrier and 1 pair of inserts. Lower and upper compression platens are required for the test (not included in the price).

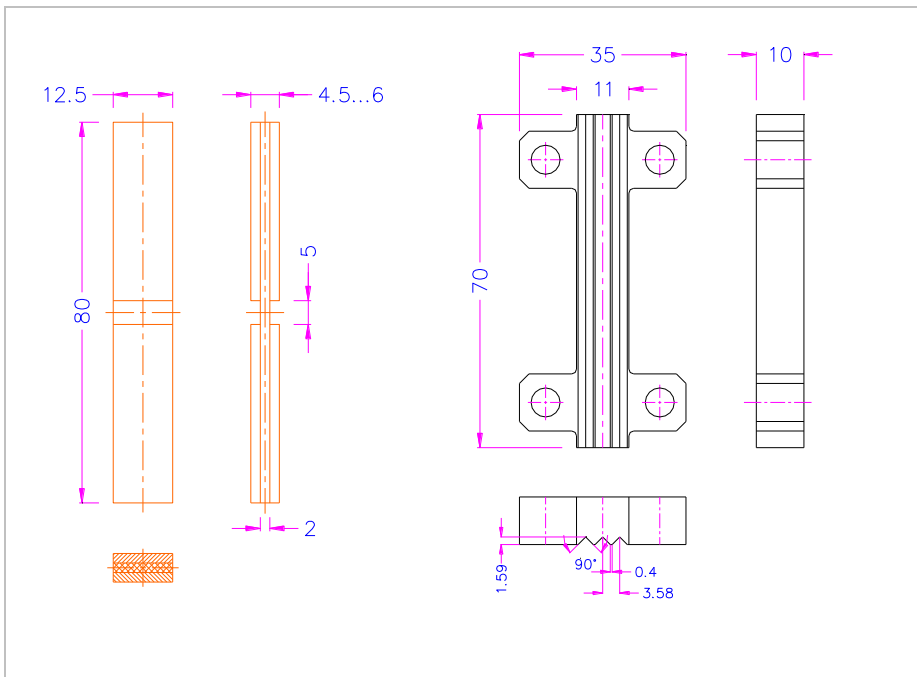
Standard	Sample length	Sample thickness (incl. tabs)	Effective length	Strain gauge gap	Insert item no.
<b>Standard inserts:</b>					
ASTM D695-Fig.4 BOEING-BSS-7260	79.4 mm (3.13 in)	≤3.2 mm (≤0.13 in)	73 mm (2.87 in)	No	THS793-E-ASTM-D695
ASTM D3846	79.5 mm (3.13 in)	2.54 – 6.6 mm (0.1 - 0.26 in)	73 mm (2.87 in)	No	THS793-E-ASTM-D3846
ISO 14126-Fig.C2	75 - 80 mm (2.95 – 3.15 in)	4.5 - 6 mm (0.18 – 0.24 in)	70 mm (2.76 in)	No	THS793-E-ISO14126
EN 2850-B1	75 - 80 mm (2.95 – 3.15 in)	4.5 - 6 mm incl. tabs (0.18 – 0.24 in)	70 mm (2.76 in)	No	THS793-E-EN2850-C-B1
EN 2850-B2	75 - 80 mm (2.95 – 3.15 in)	2.0 mm (0.08 in)	70 mm (2.76 in)	Yes	THS793-E-EN2850-C-B2
<b>Special inserts:</b>					
SACMA-SRM1- Fig.1	80 mm (3.15 in)	1.02 and 3.05 mm (0.04 and 0.12 in)	73 mm (2.87 in)	Yes	THS793-E-SACMA-SRM1-1
SACMA-SRM1- Fig.2	80 mm (3.15 in)	5.6 and 7.63 mm incl. tabs (0.22 and 0.30 in)	73 mm (2.87 in)	No	THS793-E-SACMA-SRM1-2
GOST 9550	80 mm (3.15 in)	<5 mm (<0.20 in)	75 mm (2.95 in)	No	THS793-E-GOST9550-81

### Carrier:

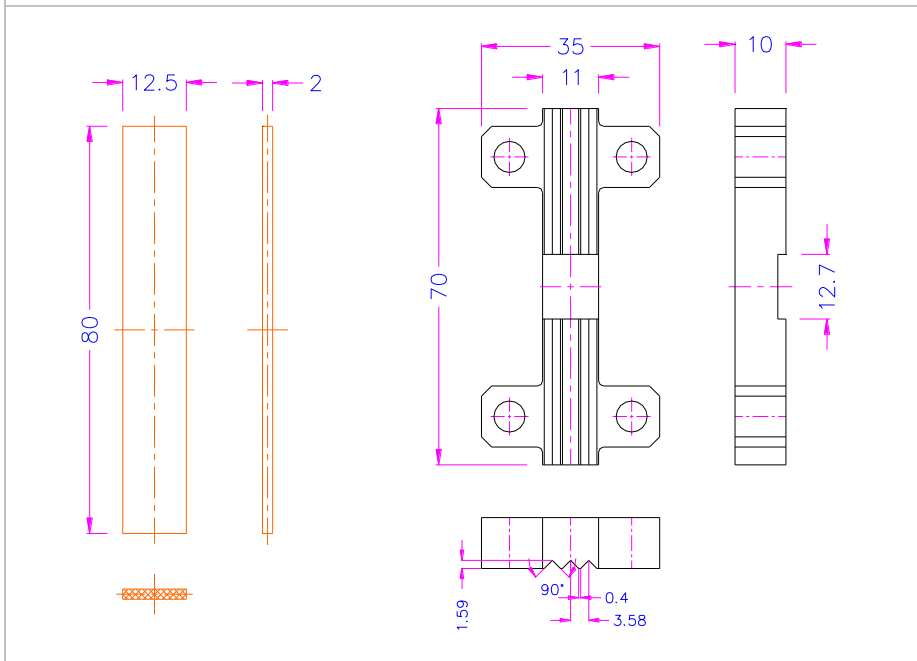


**Standard inserts:**

	<p><b>ASTM-D695</b> <b>BOEING-BSS-7260</b></p>
	<p><b>ASTM-D3846</b></p>
	<p><b>ISO 14126-Fig.C2</b></p>



prEN 2850-B1



prEN 2850-B2

Special inserts:		
		<p><b>SACMA SRM1 Type 1</b></p>
		<p><b>SACMA SRM1 Type 2</b></p>
		<p><b>GOST 9550</b></p>

**Recommendations for upper and lower platens:**

**Upper compression platens**



or

**THS223g-96-St.**  
96 mm Ø. Steel, nickel-plated  
Spherically-seated compression platen, self-aligning and fixable

**TH23-96-St.**  
96 mm Ø. Steel, nickel-plated  
Rigid compression platen

**Lower compression platen**



**TH23-116-St.**  
116 mm Ø. Steel, nickel-plated

