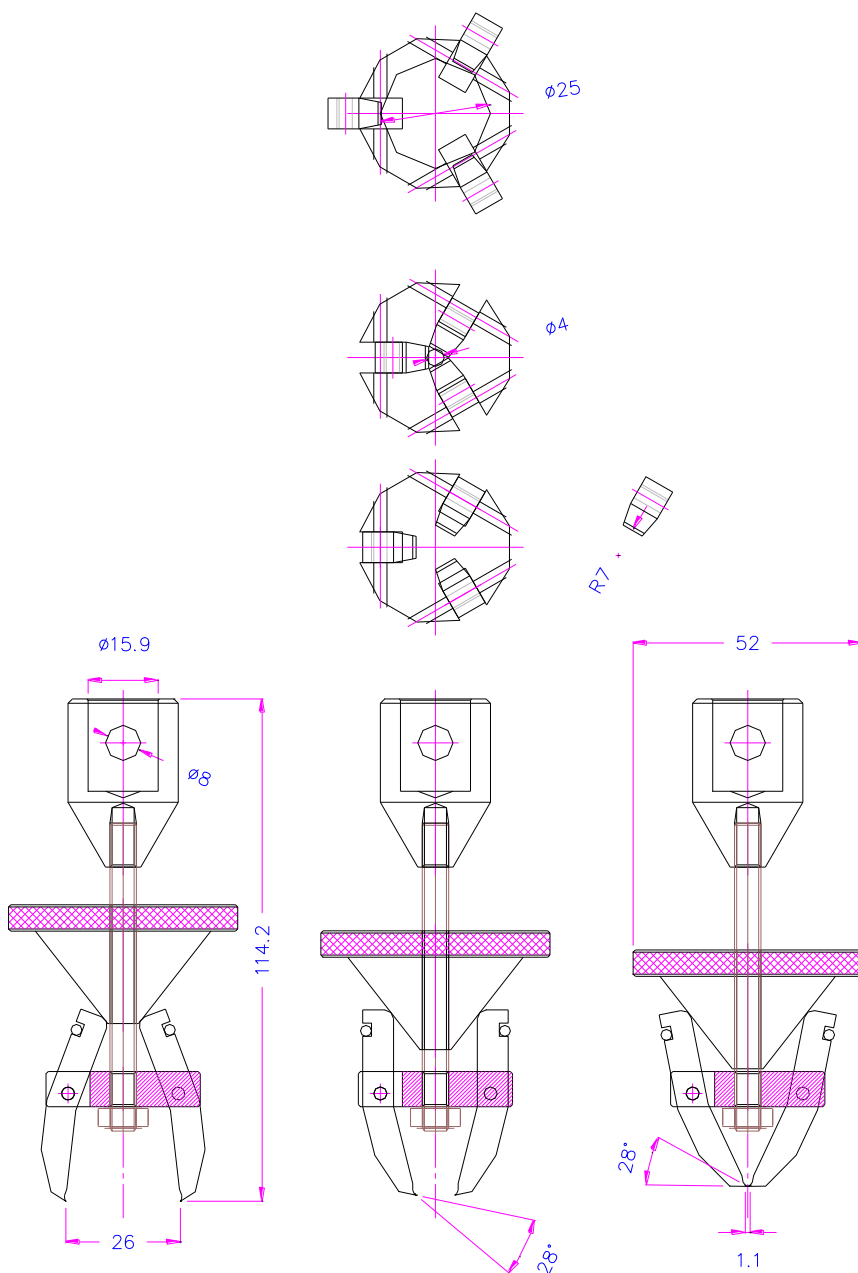


BUTTON PULL-OFF GRIP

for round samples like e.g. buttons, bottle caps, etc.

Centric movement, adjustable sample holder.

Item no.:	THS807-S25
Max. load:	0.4 kN
Sample size:	4 – 25 mm Ø
Coupling:	Af159. Further couplings on request
Material:	Steel, rubber (o-ring)
Temperature range:	0 ... + 70°C Further temperature ranges on request
Weight:	0.35 kg
Scope of supply:	1 fixture



Further versions:



THS807-20-d6 + THS1042-30

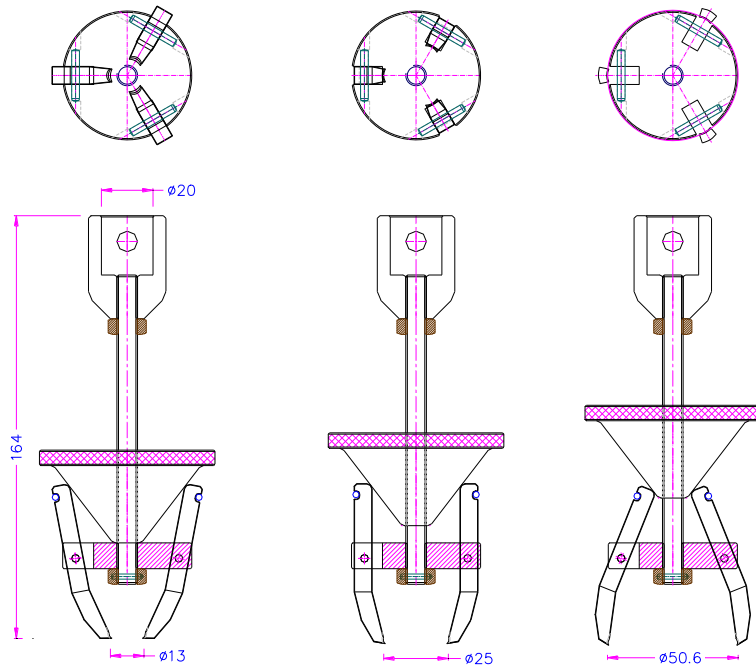
Button pull-off strength fixture according to DIN CEN/TR 16792-Fig.B5

Safety of children's clothing - Recommendations for the design and manufacture of children's clothing - mechanical safety. Button pull-off test.



THS807-D56-Af159 + THS472g-Gu

Pull-off strength test of aerosol cap



THS80-S50-AF20
special size