

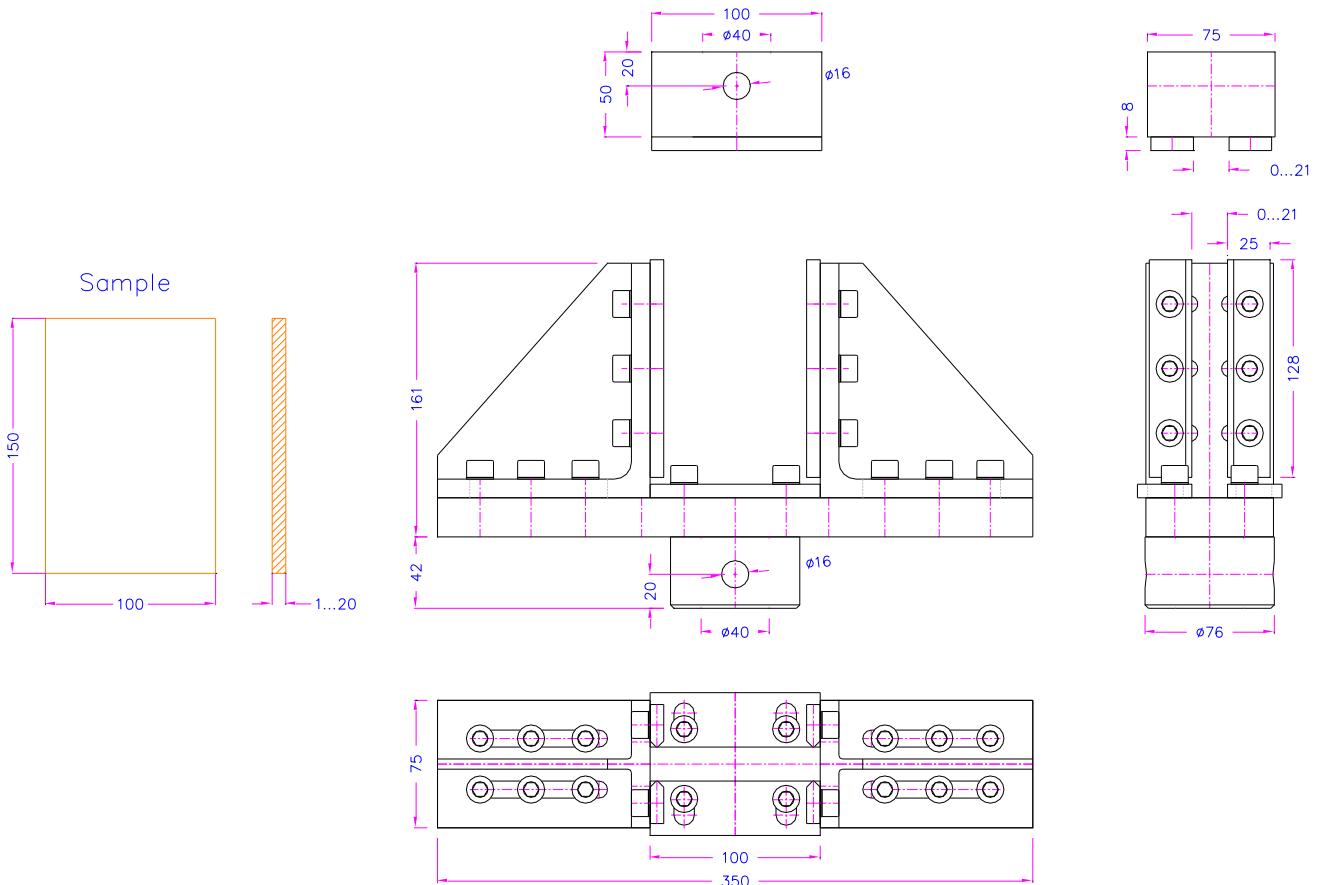
RESIDUAL STRENGTH COMPRESSION TEST FIXTURES

for composite plates according to ASTM-D7137, AITM-0010, BBS7260, ASTM-D7136, DIN65561, ISO18352.

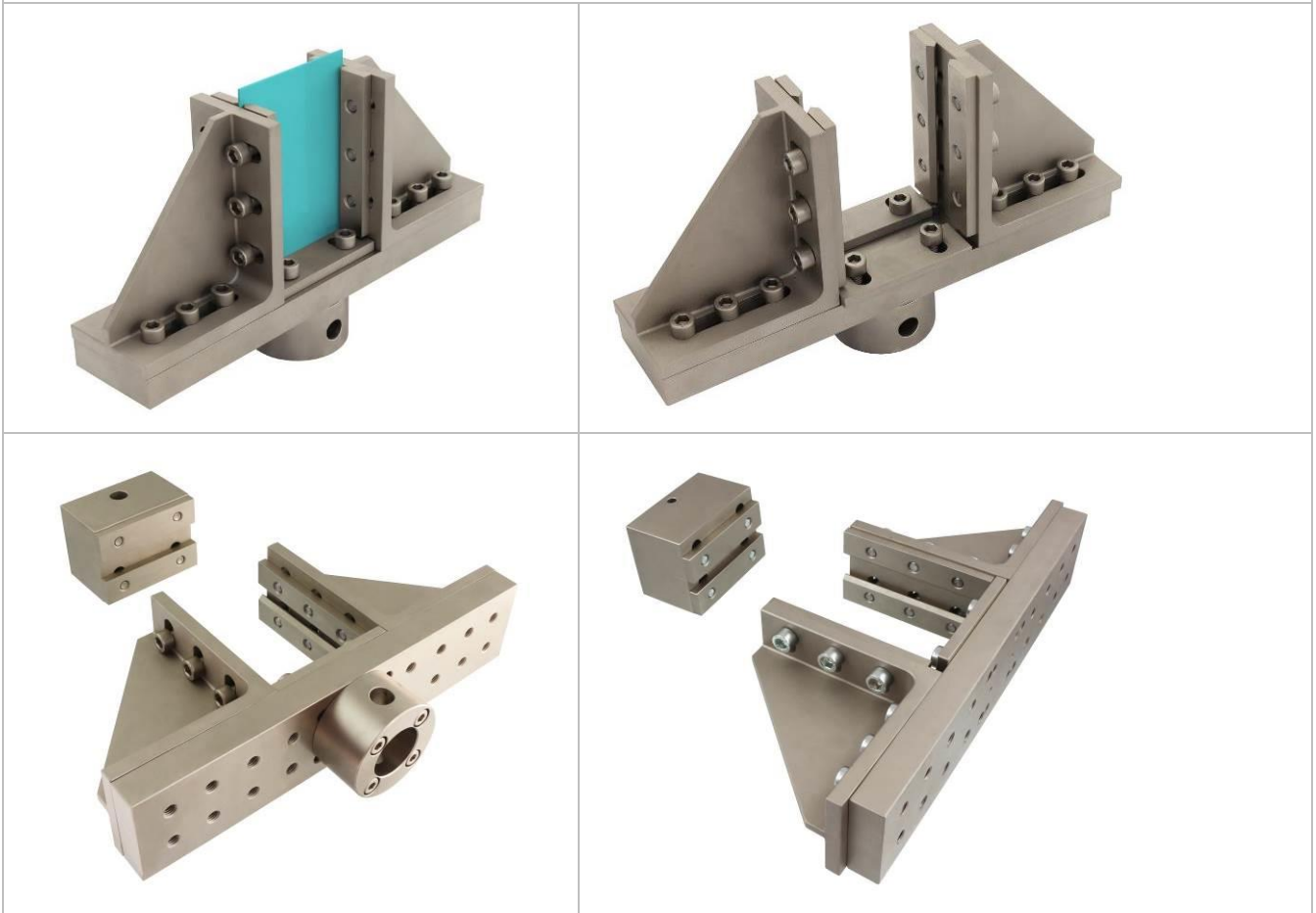
Item no.:	THS818-30 according to ASTM-D7137, AITM-0010
Max. load:	100 kN
Coupling:	Max. Af40 Further coupling sizes on request
Material:	Steel, nickel-plated
Temperature range:	-20 ... +200°C
Weight:	13,55 kg per fixture
Scope of supply:	1 fixture



^

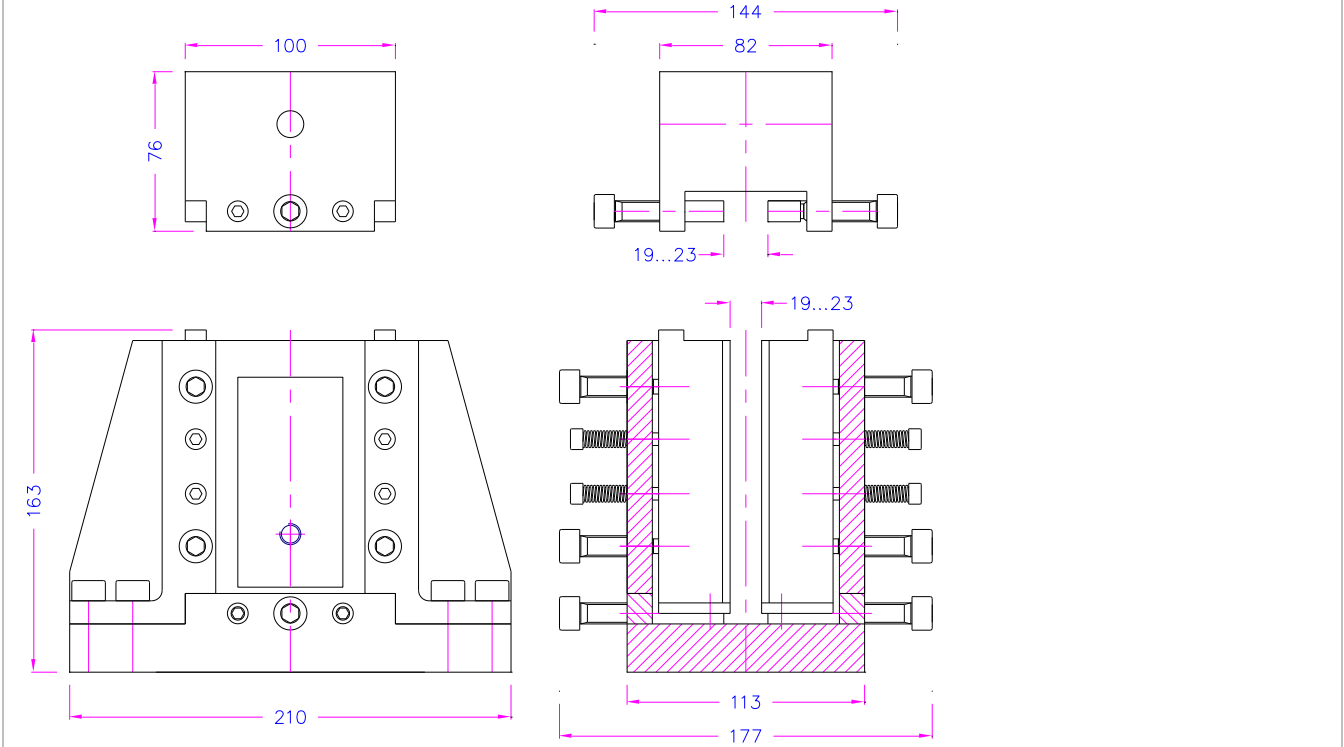


THS818-30

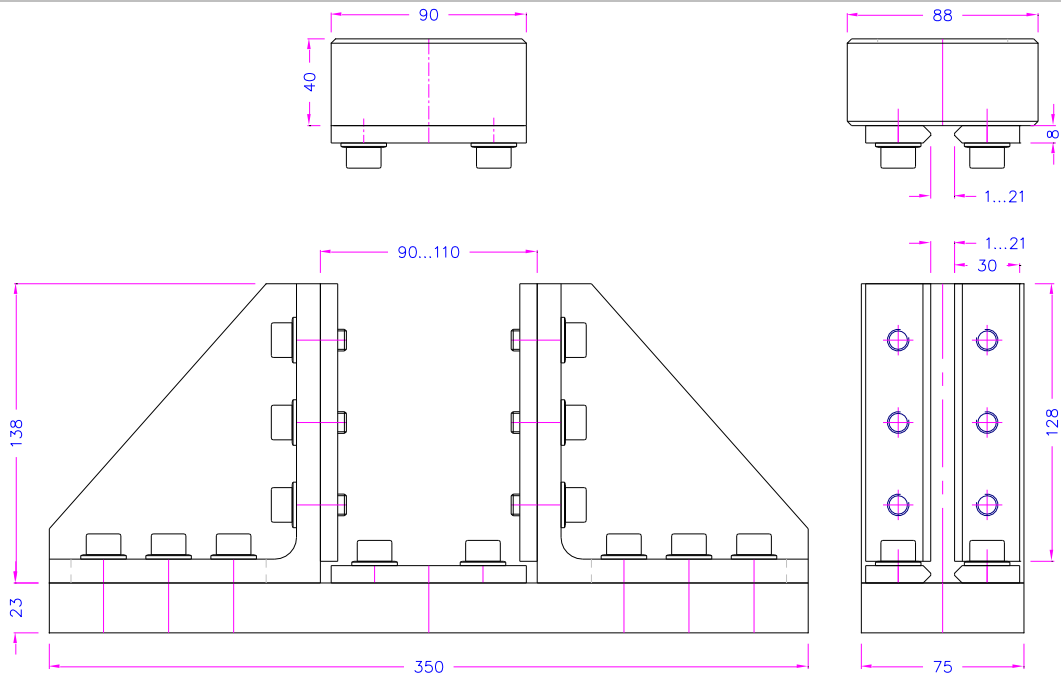


Further versions:

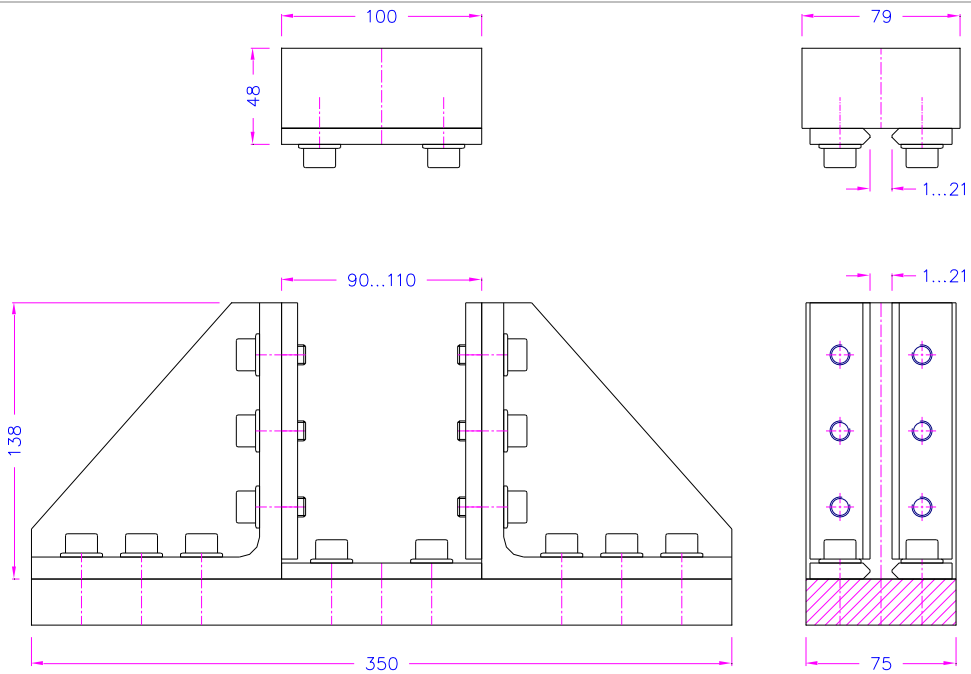
THS818-40
according to BBS7260



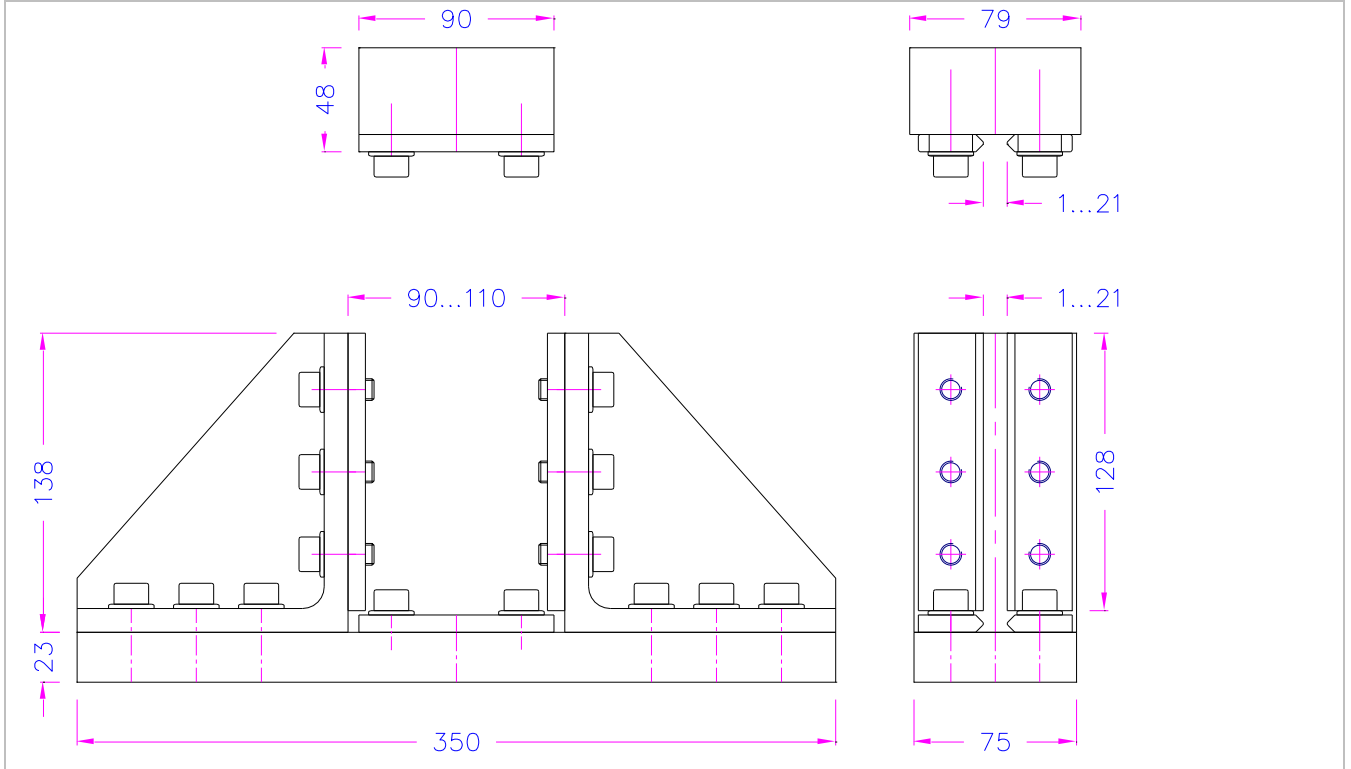
THS818-50
 according to ASTM-D7137, ASTM-D7136, DIN65561



THS818-60
 similar to AITM-0010



THS818-70
according to DIN ISO18352



25.04.202201