

SCREW ACTION GRIP

Provides a simple and effective method to grip specimens.
 Dual acting design, also for asymmetrical samples.
 Jaws articulate and provide a self-aligning and self-tightening effect.

Ordering information:

The grips are ordered in pairs but can also be ordered separately (0.5 pair).
 Grips and jaws need to be ordered separately.

We recommend using an air screw driver.



Item number	THS90
Tensile force	46 kN at 92 kN clamping force
Clamping force	92 kN at 500 Nm* (9.2 kN at 50 Nm)
Temperature range	0°C ... +180°C Other temperature ranges on request
Body	Steel, nickel-coated
Weight	12 kg per grip without jaws
Scope of delivery	1 pair of grips without jaws

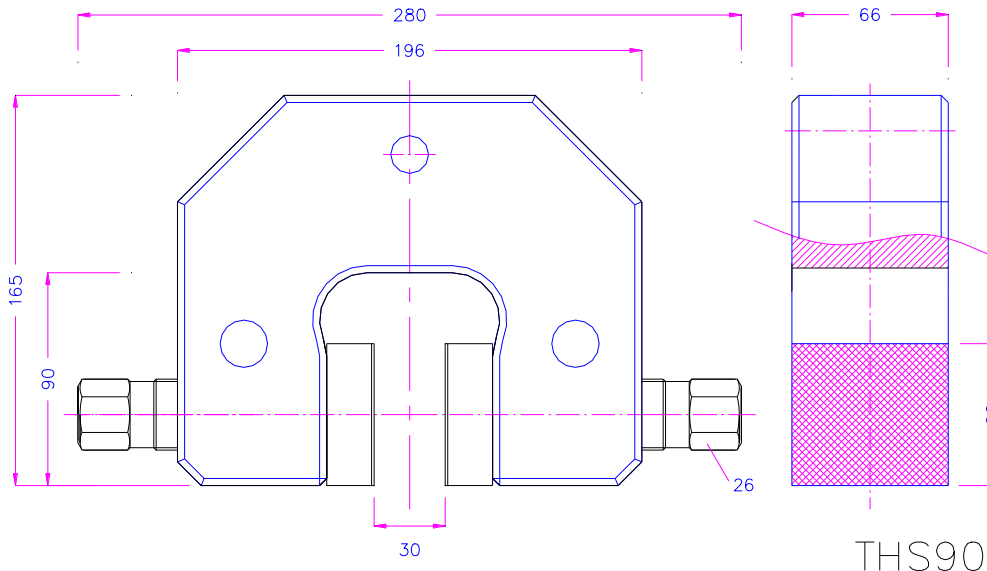
*We propose a pneumatic impact wrench with 650 Nm

Jaws for THS90: scope of delivery: 1 set = 4 jaws

Item no.	Surface	Clamping surface H x W	Opening	Weight per pair
THS90-B	Blank (smooth) jaws	60 x 66 mm	0 – 30 mm	1.2 kg
THS90-BP	Pyramid (serrated) jaws	60 x 66 mm	0 – 30 mm	1.1 kg
THS90-BV	V-jaws for round samples	Clamping height 60 mm	6 – 30 mm Ø	1.2 kg
THS90-BW	Wave jaws	60 x 66 mm	0 – 30 mm	1.1 kg
THS90-BD	Diamond jaws	60 x 66 mm	0 – 30 mm	1.2 kg
THS90-BDV	Diamond-coated V-jaws	Clamping height 60 mm	6 – 30 mm Ø	1.2 kg
THS90-BG	Rubber-coated jaws	60 x 66 mm	0 – 28 mm	1.2 kg
THS90-BP120	Pyramid (serrated) jaws	70 x 120 mm	0 – 20 mm	5.4 kg
THS90-B210	Blank (smooth) jaws	70 x 210 mm	0 – 20 mm	6.6 kg
THS90-BP210	Pyramid (serrated) jaws	70 x 210 mm	0 – 20 mm	6.6 kg
THS90-BV210	V-jaws for round samples	Clamping height 70 mm	8 – 20 mm Ø	6.6 kg
THS90-BW210	Wave jaws	70 x 210 mm	0 – 20 mm	6.4 kg
THS90-BWG210	Rubber-coated wave jaws	70 x 210 mm	0 - 16 mm	6.7 kg

	Blank jaws <ul style="list-style-type: none"> • Suitable for own further treatments • Steel-blanks without coating
	Pyramid jaws <ul style="list-style-type: none"> • Pyramids 1.2x45° • Hardened steel 58HRC • Nickel-plated
	V-jaws <ul style="list-style-type: none"> • For all kinds of round samples • Tooth pitch 1.2 mm • Hardened steel 58HRC • Nickel-plated
	Wave jaws <ul style="list-style-type: none"> • For flexible materials • Wave 5 mm • Hardened steel 58HRC • Nickel-plated
	Diamond jaws <ul style="list-style-type: none"> • Clamping surface coated with synthetic diamonds • Nickel-plated
	Rubber jaws <ul style="list-style-type: none"> • 1 mm rubber coating (NBR) • Nickel-plated

Jaws with other dimensions and surface coatings on request

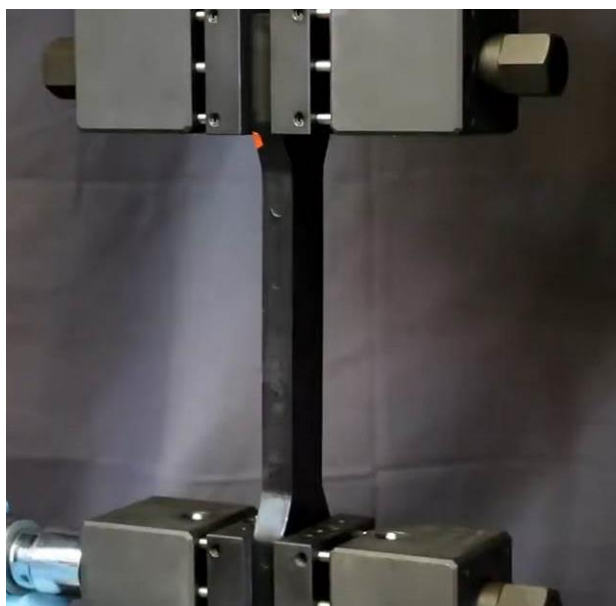


THS90

Examples for customized solutions:

	<p>Full nickel coating for chamber usage</p>
	<p>THS90-S70 Extra wide opening 70 mm</p>
	<p>THS90+BP210-Ni Big jaws, clamping surface 70x210 mm Full nickel coating</p>

Videos



<http://youtu.be/o2Fzah36wSU>

Plastic sample



<http://youtu.be/EJWNpoJia0Q>

Carbon fiber reinforced polymer sample