
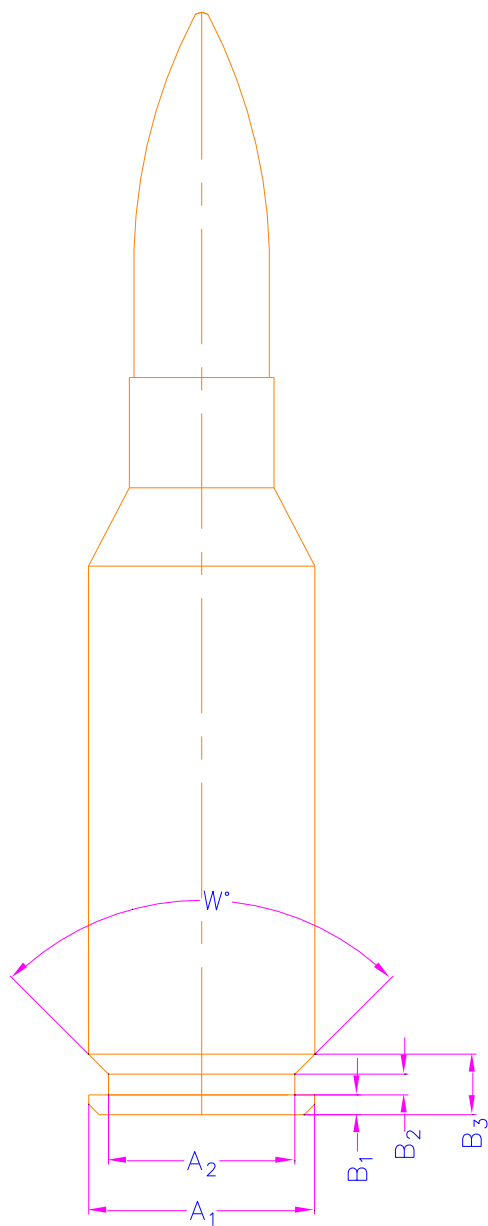


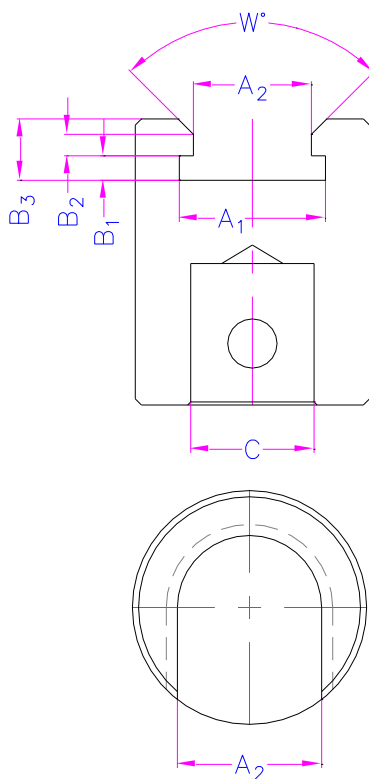
BULLET TEST HOLDER

to measure pull strength necessary to separate a bullet (projectile) from the cartridge case

Item no.:	THS9-A-B-C	
Dimensions:	According to customer specifications	
Material:	Steel	
Temperature range:	0 ... +70°C Further temperature ranges on request	
Scope of delivery:	1 fixture Upper grip is required for test (not included in scope of supply)	

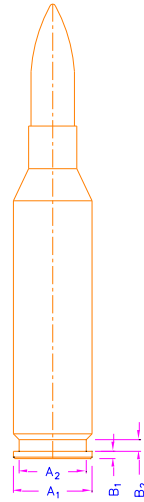
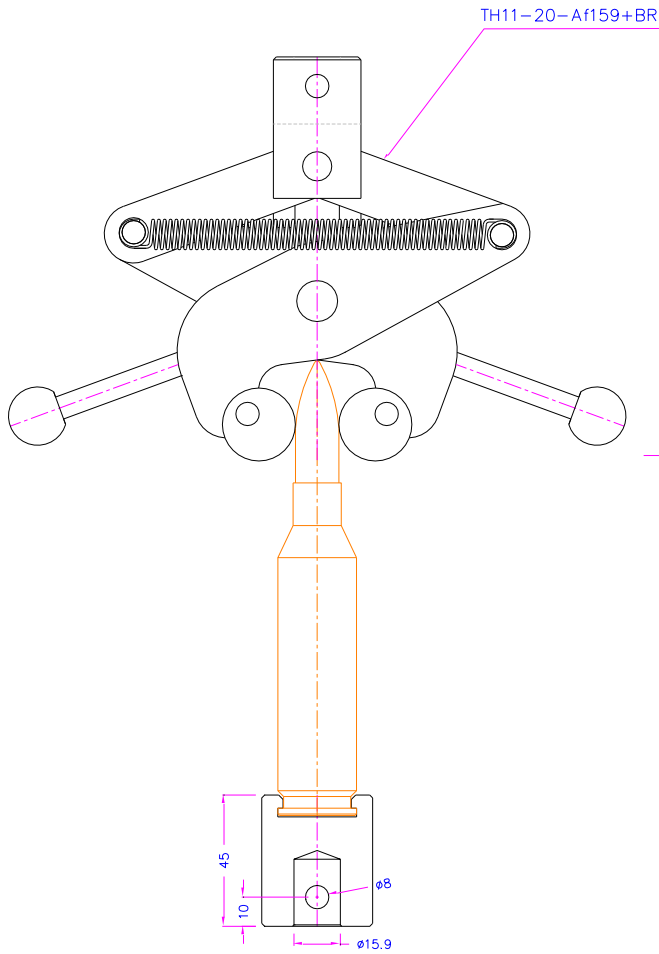


Sample

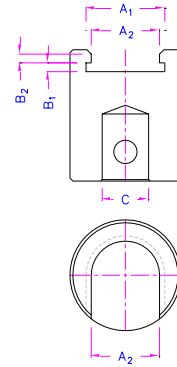


THS9-A-B-C

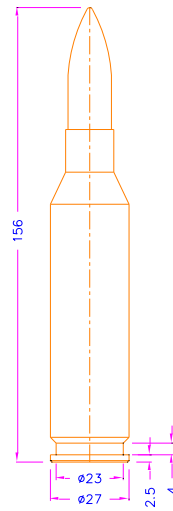
Example for upper grip:



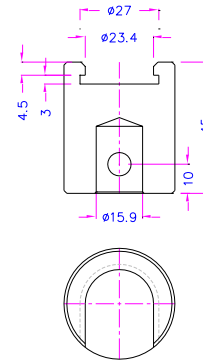
Sample



THS9-A-B-C



Sample



THS9-23.4-4.5-Af159

[TH11 Data sheet.pdf](#)

Examples for modifications:

